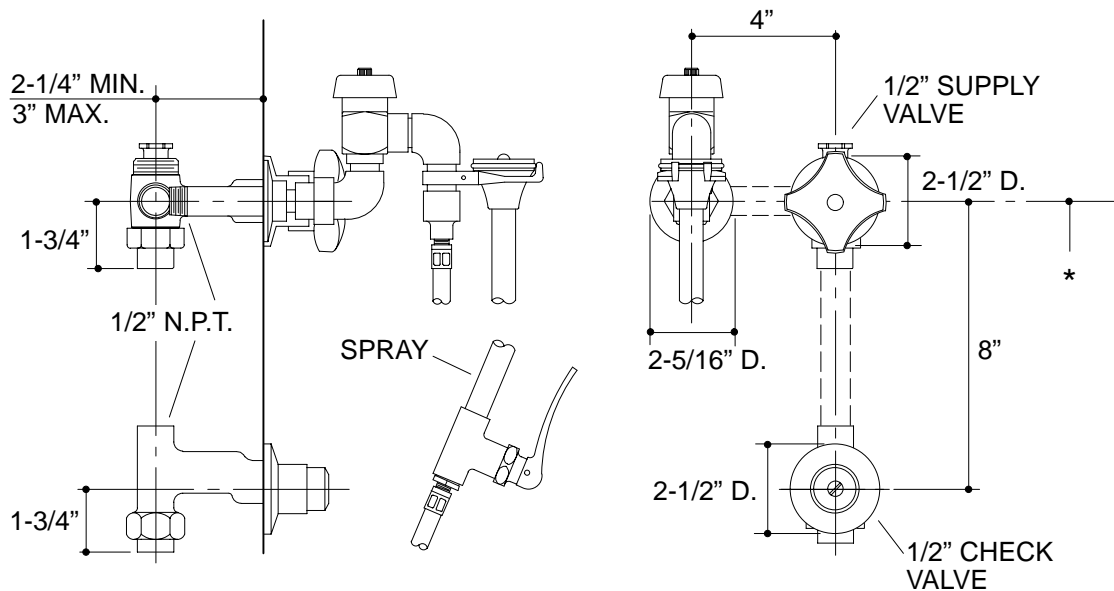


**Ordering Information**

|                     |            |
|---------------------|------------|
| Applicable product: |            |
| Bedpan washer       | K-13931-2A |



\* CONSULT LOCAL CODES FOR VACUUM BREAKER HEIGHT.