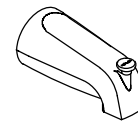
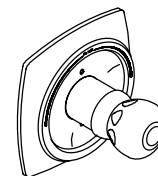
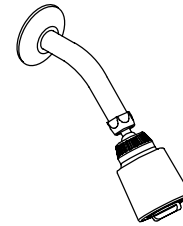


**BATH AND SHOWER FAUCET
K-15132
ALSO K-15134**

FEATURES

- Metal construction
- Brass valve body
- One-piece self-contained valve cartridge allows both volume and temperature control
- Temperature memory allowing faucet to be turned on and off at any temperature setting
- Pressure-balancing mechanism of one-piece diaphragm cartridge design for ease of maintenance
- Available with 4-7/8" diverter bath spout with N.P.T. or slip-fit connection
- Sculptured acrylic handle
- Available with or without screwdriver stops



CODES/STANDARDS APPLICABLE

Specified model meets or exceeds the following:

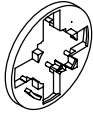
- ASME/ANSI A112.18.1M
- ASSE/ANSI 1016
- CSA B125
- IAPMO/UPC

COLORS/FINISHES

- CP Polished Chrome
- PB Polished Brass

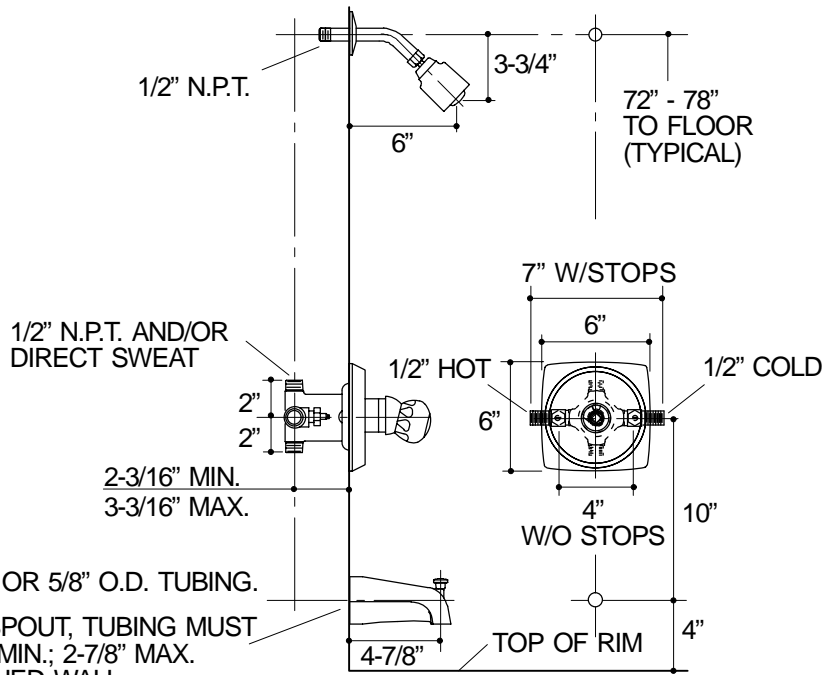
SPECIFIED MODEL:

Model	Description	<input type="checkbox"/> CP	<input type="checkbox"/> PB
K-15132	With N.P.T. Diverter Bath Spout, Less Screwdriver Stops	<input type="checkbox"/>	<input type="checkbox"/>
K-15132-S	With Slip-Fit Diverter Bath Spout, Less Screwdriver Stops	<input type="checkbox"/>	
K-15134	With N.P.T. Diverter Bath Spout, With Screwdriver Stops	<input type="checkbox"/>	<input type="checkbox"/>
K-15134-S	With Slip-Fit Diverter Bath Spout, With Screwdriver Stops	<input type="checkbox"/>	

Optional Accessory		
K-15145	Fiberglass Installation Plate	<input type="checkbox"/> NA

PRODUCT SPECIFICATION:

Pressure-balancing single-control bath and shower faucet shall be of metal construction. Faucet shall feature a brass valve body. Valve shall be a one-piece, self-contained diaphragm cartridge, and allows both volume and temperature control. The valve shall feature temperature memory, allowing the faucet to be turned on and off at any temperature setting. The pressure-balancing mechanism shall be of one-piece diaphragm cartridge design for ease of maintenance. Product shall include a showerhead with arm and flange, faceplate with sculptured acrylic handle, and 4-7/8" diverter bath spout with N.P.T or slip-fit connection. Optional feature shall be with or without screwdriver stops. Faucet shall be Kohler Model K-_____-_____-_____.



1/2" N.P.T. PIPE OR 5/8" O.D. TUBING.
 FOR SLIP-FIT SPOUT, TUBING MUST
 EXTEND 1-1/2" MIN.; 2-7/8" MAX.
 BEYOND FINISHED WALL.

FOR N.P.T. SPOUT, PIPE MUST EXTEND
 3-7/8" BEYOND FINISHED WALL.

332

PRODUCT DIAGRAM