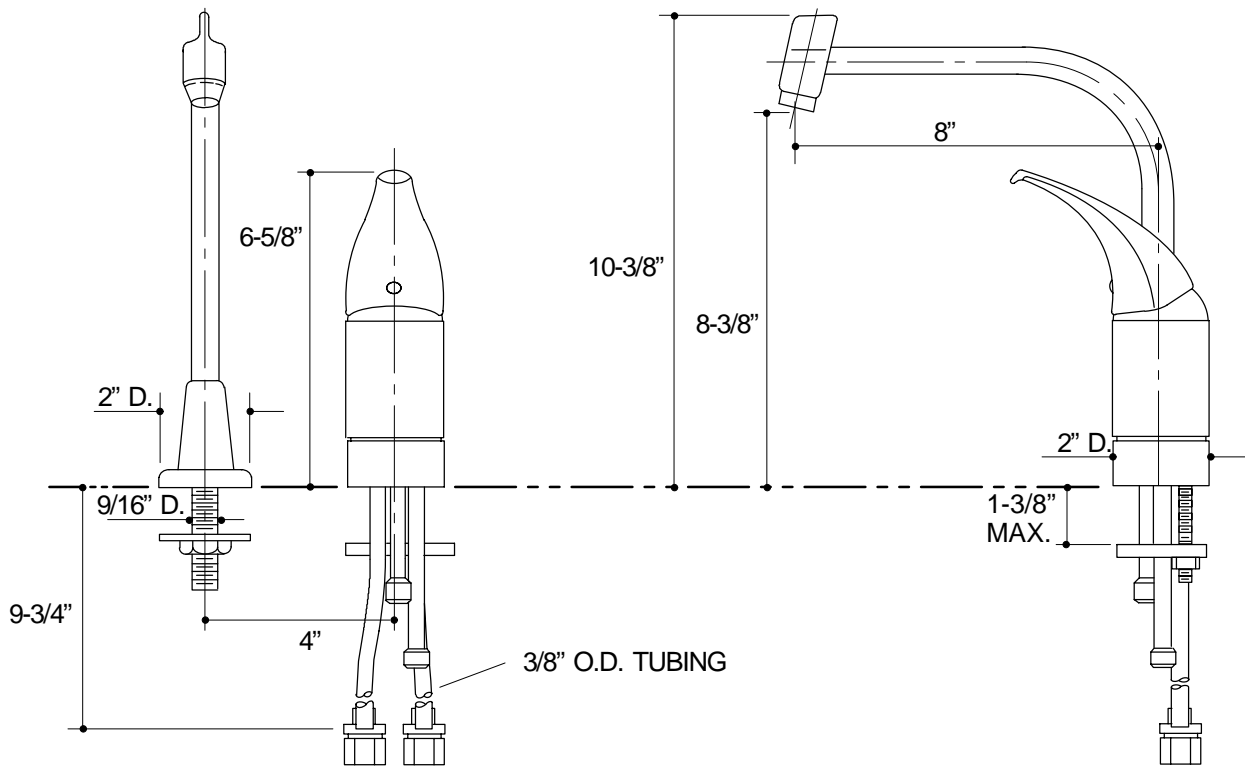


Ordering Information

Applicable sink faucet with ground joints:	
Less spray	K-15177-P
ADA Lever handle is ADA compliant	



14

K-15177-P Coralais™ Kitchen Sink Faucet
 115359-1-AA (9619)

NOTES: