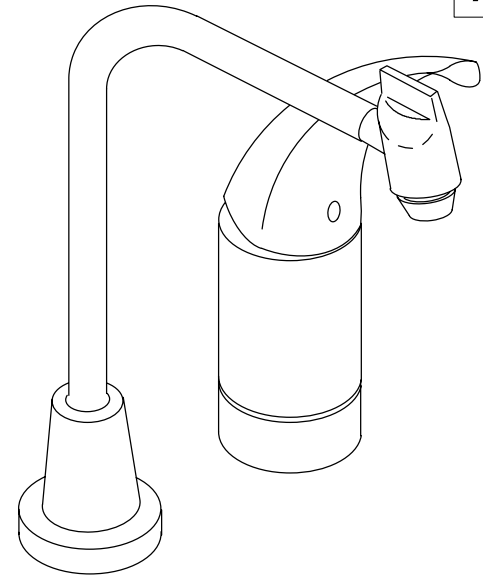


**KITCHEN SINK FAUCET  
K-15177-P**

ADA



**FEATURES**

- *Metal construction*
- *One-piece self-contained ceramic disc valve allows both volume and temperature control*
- *Temperature memory allowing faucet to be turned on and off at any temperature setting*
- *Remote valve*
- *8" Multi-Swivel™ swing spout*
- *Rotating aerator*
- *2.2 gallons per minute*
- *Lever handle*
- *Ground joint connections*

**CODES/STANDARDS APPLICABLE**

Specified model meets or exceeds the following:

- *ASME/ANSI A112.18.1M*
- *CSA B125*
- *Energy Policy Act of 1992*
- *IAPMO/UPC*
- *NSF 61*

**COLORS/FINISHES**

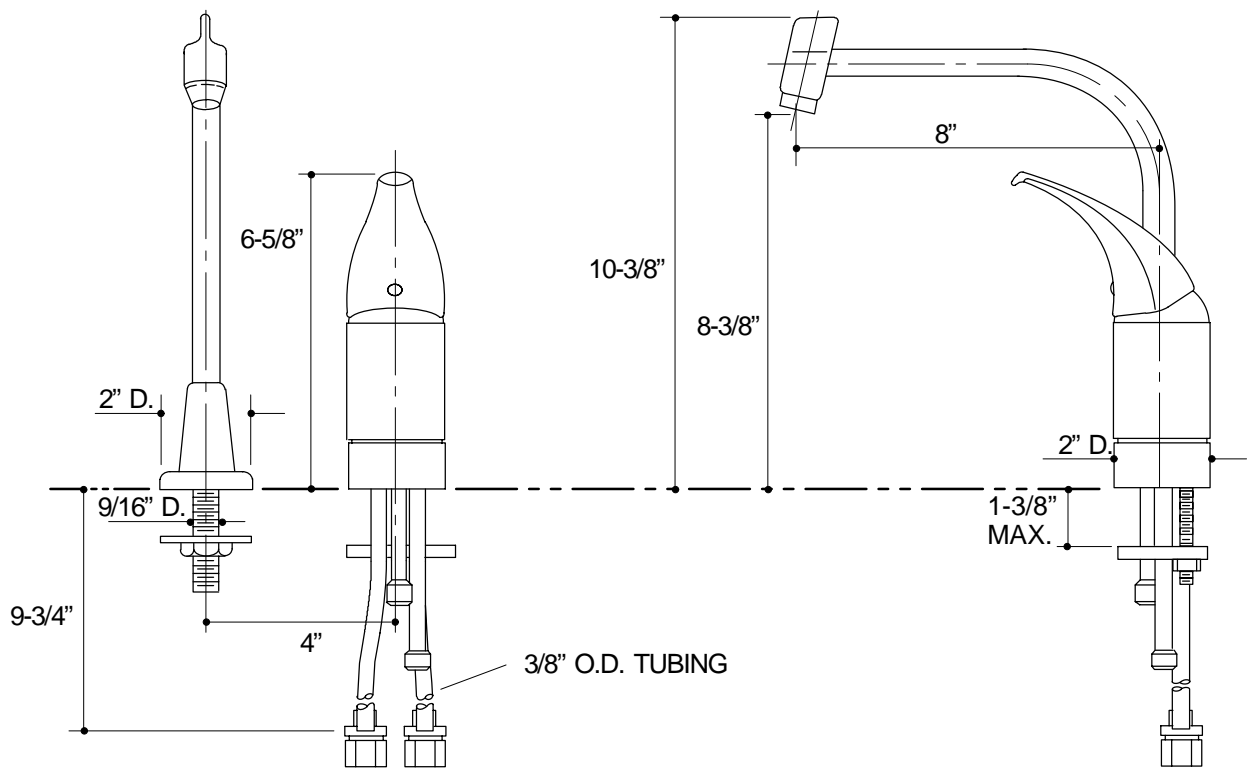
- CP Polished Chrome

**SPECIFIED MODEL:**

Model	Description	
K-15177-P	Coralais Kitchen Sink Faucet	<input type="checkbox"/> CP

**PRODUCT SPECIFICATION:**

Single-control kitchen sink faucet shall be of metal construction. The valve shall be a one-piece, self-contained ceramic disc valve, and allows both volume and temperature control. The valve shall feature temperature memory, allowing the faucet to be turned on and off at any temperature setting. Product shall include remote valve, 8" Multi-Swivel swing spout, rotating aerator, lever handle, and ground joint connections. Faucet shall be Kohler Model K-15177-P-CP.



**PRODUCT DIAGRAM**