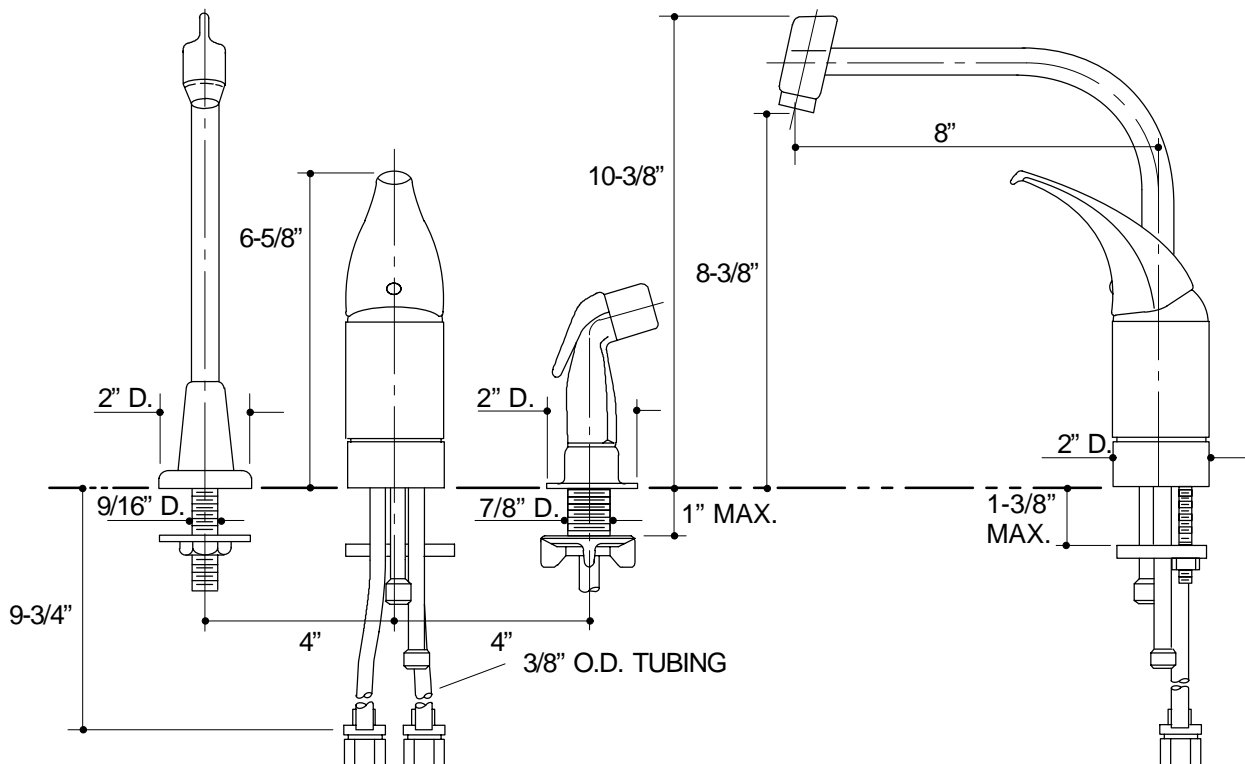


Ordering Information

Applicable sink faucet with ground joints:	
With spray	K-15178-P
ADA Lever handle is ADA compliant	



14

K-15178-P Coralais™ Kitchen Sink Faucet
115360-1-AA (9619)

NOTES: