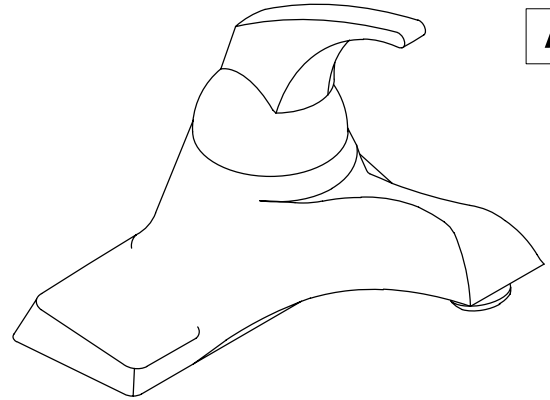


**LAVATORY FAUCET  
K-15198**

**FEATURES**

- Metal construction
- For 4" centers
- One-piece self-contained valve cartridge allows both volume and temperature control
- Temperature memory allowing faucet to be turned on and off at any temperature setting
- 4-5/8" spout
- Metal throatplate
- 2.0 gallons per minute
- Grid drain with tailpiece
- Lever handle
- Includes matching finish handle cap
- Optional ground joint connections

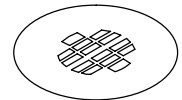


ADA

**CODES/STANDARDS APPLICABLE**

Specified model meets or exceeds the following:

- ASME/ANSI A112.18.1M
- California Energy Commission
- Canadian Standards Association (CSA)
- Energy Policy Act of 1992
- IAPMO/UPC
- NSF 14




**COLORS/FINISHES**

- CP Polished Chrome

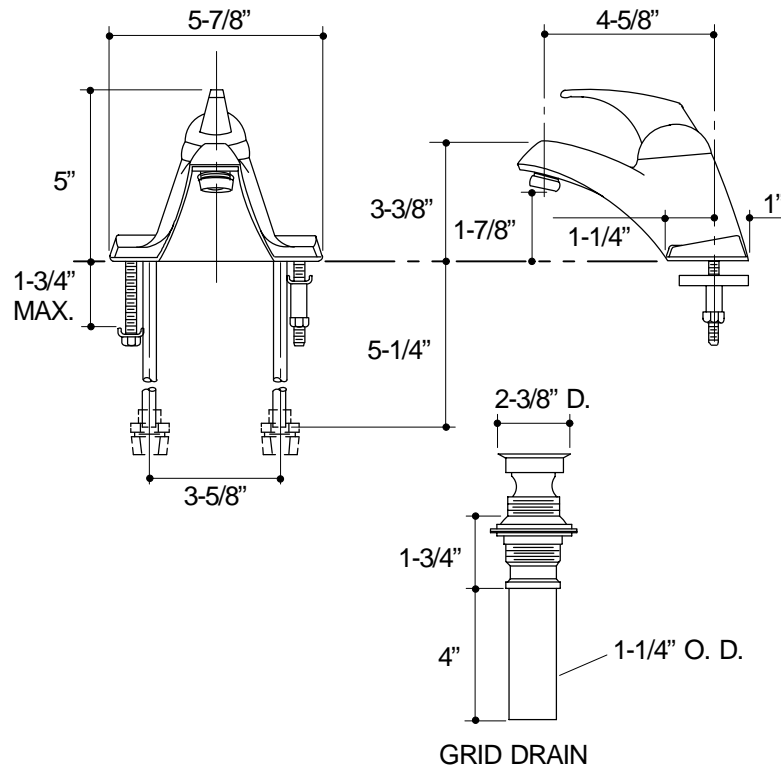
**SPECIFIED MODEL:**

Model	Description	
K-15198	Less Ground Joint Connections	<input type="checkbox"/> CP
K-15198-P	With Ground Joint Connections	<input type="checkbox"/> CP

Optional Accessory				
K-15180-A	Lever Handle Color Cap, Single	<input type="checkbox"/> CP	<input type="checkbox"/> PB	<input type="checkbox"/> Other _____

**PRODUCT SPECIFICATION:**

Single-control centerset lavatory faucet shall be of metal construction. The valve shall be a one-piece, self-contained valve cartridge, and allows both volume and temperature control. The valve shall feature temperature memory, allowing the faucet to be turned on and off at any temperature setting. Product shall include 4" centers, 4-5/8" spout, grid drain with tailpiece, lever handle, and matching finish handle cap. Optional feature shall be with or without ground joint connections. Faucet shall be Kohler Model K-15198-\_\_\_\_\_-CP.



316

**PRODUCT DIAGRAM**