

**LAUNDRY SINK FAUCET
K-15270**

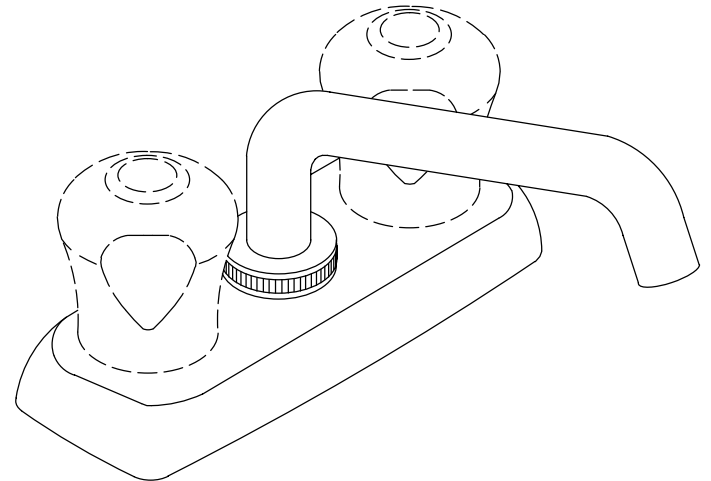
FEATURES

- Metal construction
- For 4" centers
- Reversible quarter-turn washerless ceramic disc valves
- 6" plain end swing spout
- Available with sculptured acrylic or blade handles

CODES/STANDARDS APPLICABLE

Specified model meets or exceeds the following:



- ASME/ANSI A112.18.1M
- CSA B125
- NSF 61



COLORS/FINISHES

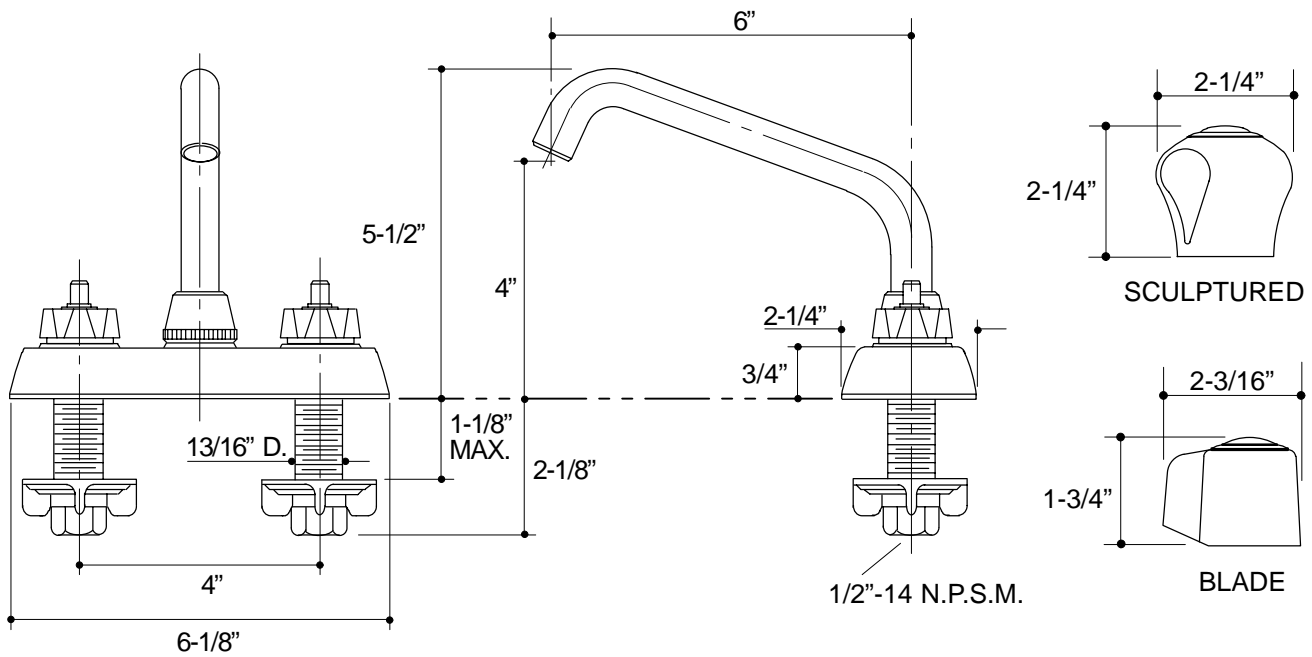
- CP Polished Chrome

SPECIFIED MODEL:

Model	Description		 ADA
K-15270	With Sculptured Acrylic Handles	<input type="checkbox"/> CP	
K-15270-B	With Blade Handles		<input type="checkbox"/> CP

PRODUCT SPECIFICATION:

Two-handle centerset laundry sink faucet shall be of metal construction. Faucet shall feature reversible quarter-turn washerless ceramic disc valves, assuring positive handle stop positioning. Product shall include 4" centers, 6" plain end swing spout, and sculptured acrylic or blade handles. Faucet shall be Kohler Model K-15270-____-CP.



516

PRODUCT DIAGRAM