

**BAR SINK FAUCET  
K-15275**

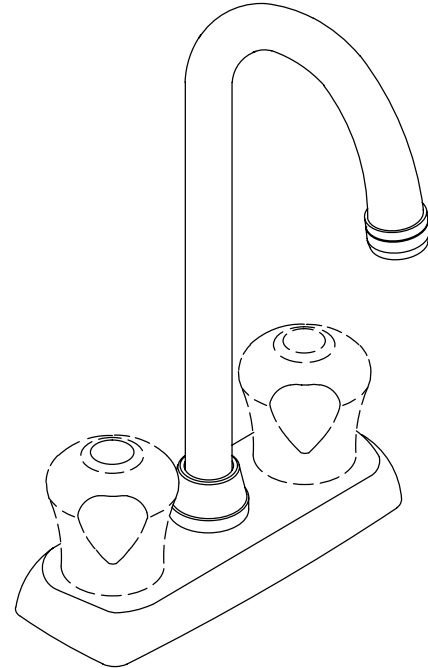
**FEATURES**

- Metal construction
- For 4" centers
- Reversible quarter-turn washerless ceramic disc valves
- 4" gooseneck spout
- 2.2 gallons per minute
- Available with sculptured acrylic or blade handles

**CODES/STANDARDS APPLICABLE**

Specified model meets or exceeds the following:



- ASME/ANSI A112.18.1M
- CSA B125
- Energy Policy Act of 1992
- IAPMO/UPC
- NSF 61



**COLORS/FINISHES**

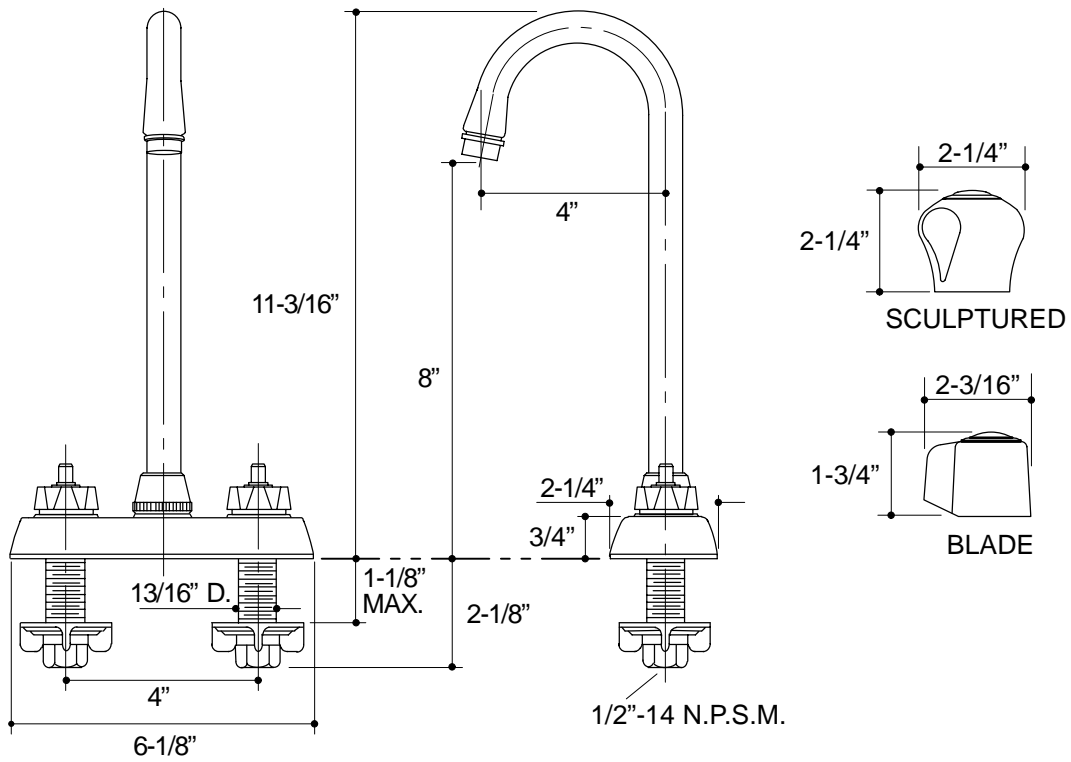
- CP Polished Chrome
- PB Polished Brass

**SPECIFIED MODEL:**

Model	Description		 <span style="border: 1px solid black; padding: 2px;">ADA</span>
K-15275	With Sculptured Acrylic Handles	<input type="checkbox"/> CP <input type="checkbox"/> PB	
K-15275-B	With Blade Handles		<input type="checkbox"/> CP

**PRODUCT SPECIFICATION:**

Two-handle centerset bar sink faucet shall be of metal construction. Faucet shall feature reversible quarter-turn washerless ceramic disc valves, assuring positive handle stop positioning. Product shall include 4" centers, 4" gooseneck spout, and sculptured acrylic or blade handles. Faucet shall be Kohler Model K-15275-\_\_\_\_-\_\_\_\_.



14

**PRODUCT DIAGRAM**