

**CORALAIS™ DECORATOR SERIES**

**VALVE TRIM  
K-T15873  
ALSO K-15700-K**

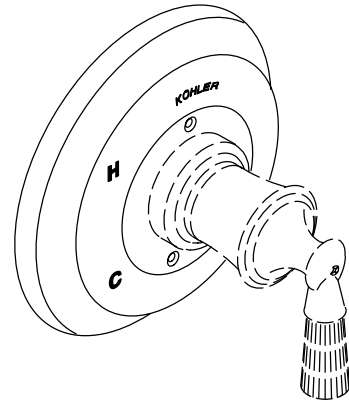
**FEATURES**

- Available with lever or stacked handle

**CODES/STANDARDS APPLICABLE**

Specified model meets or exceeds the following:



- ASME/ANSI A112.18.1M






**COLORS/FINISHES**

- CP Polished Chrome
- PB Polished Brass
- Other Refer to Faucets Price Book for additional finishes

**SPECIFIED MODEL:** For complete faucet, both faucet trim and mixing valve must be specified.

Model	Description		
K-T15873-4K	Lever Handle; Matching Finish Trim	<input type="checkbox"/> CP <input type="checkbox"/> PB	
K-T15873-7K	Stacked Handle; Matching Finish Trim		<input type="checkbox"/> CP <input type="checkbox"/> PB
K-T15873-7N	Stacked Handle; White Trim With Polished Brass Accents		<input type="checkbox"/> Other_____

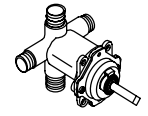
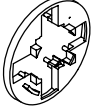
Required Accessory				
	K-15855-4M	Lever, Polished Chrome Insert	<input type="checkbox"/> CP	
	K-15855-4N	Lever, Polished Brass Insert		<input type="checkbox"/> PB
	K-15855-4P	Lever, White Porcelain Insert	<input type="checkbox"/> CP	<input type="checkbox"/> PB
	K-15855-4R	Lever, Acrylic Insert		<input type="checkbox"/> NA
	K-15855-7M	Stacked, Polished Chrome Insert	<input type="checkbox"/> CP	
	K-15855-7N	Stacked, Polished Brass Insert		<input type="checkbox"/> PB

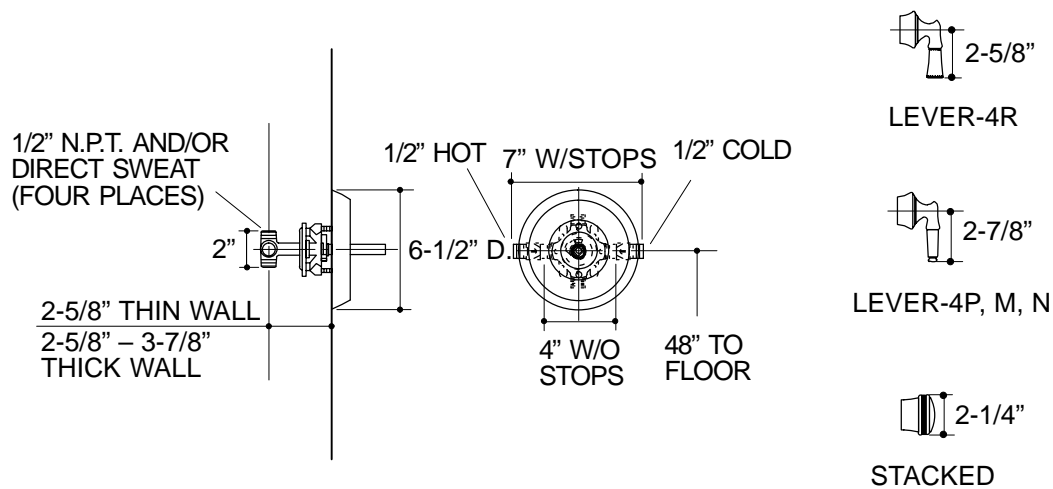
Required and Optional Accessories on Page 2.

**PRODUCT SPECIFICATION:**

Non-pressure balancing single-control shower faucet trim shall be of metal construction. Product shall include faceplate with lever or sculptured acrylic handle. Valve trim shall be Kohler Model K-T15873-\_\_\_\_\_-\_\_\_\_\_- with K-15855-\_\_\_\_\_-\_\_\_\_\_- handle insert. Mixing valve shall be Kohler Model K-15700-\_\_\_\_\_-NA.

# CORALAIS™ DECORATOR SERIES

Required Accessory			
K-15700-K	Coralais Non-Pressure Balancing Mixing Valve, Less Stops	<input type="checkbox"/> NA	
K-15700-KS	Coralais Non-Pressure Balancing Mixing Valve, With Stops		<input type="checkbox"/> NA
Optional Accessory			
K-15145	Fiberglass Installation Plate	<input type="checkbox"/> NA	



## PRODUCT DIAGRAM