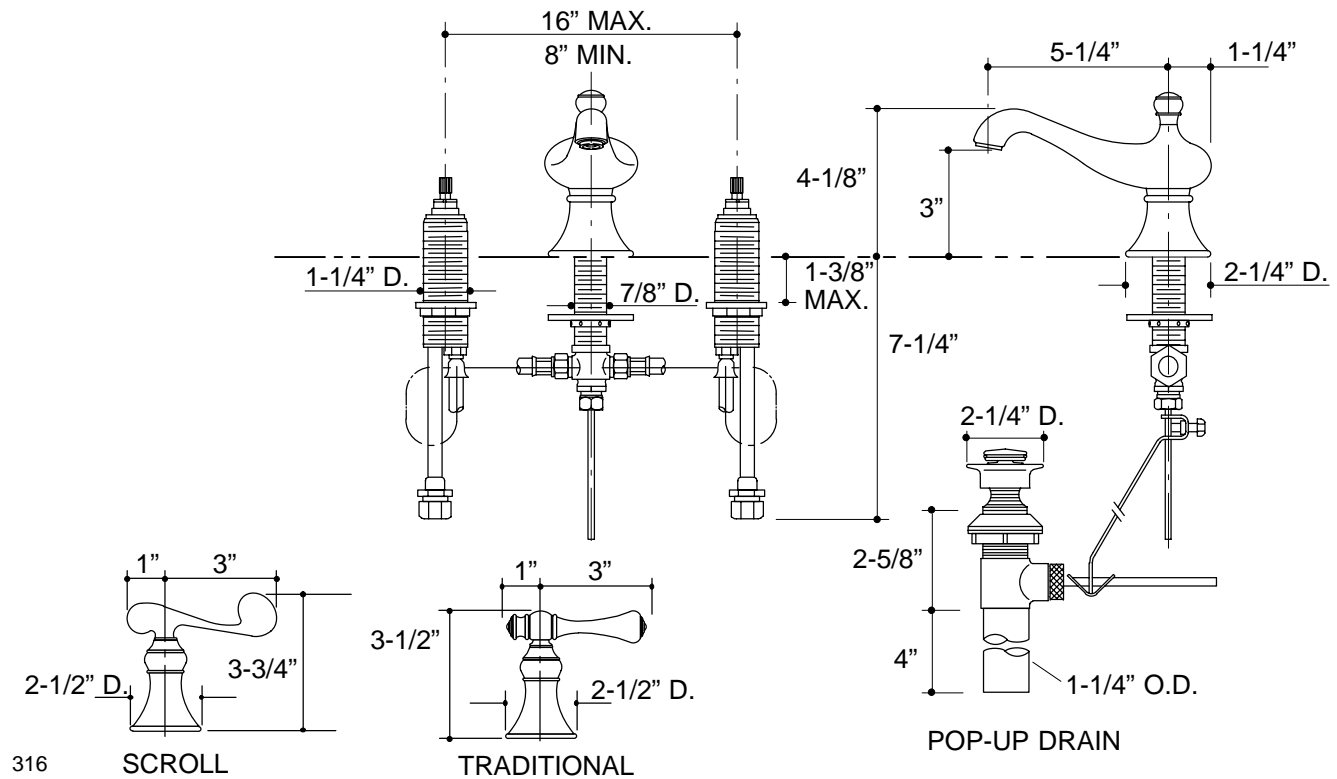


Ordering Information

Applicable faucet with drain:	
With scroll handle	K-16102-4
With traditional handle	K-16102-4A
ADA Traditional and scroll lever handles are ADA compliant	



316

SCROLL

TRADITIONAL

POP-UP DRAIN

K-16102 Revival™ Lavatory Faucet
115432-1-DA (-)

KOHLER®

NOTES: