

**BATH FAUCET TRIM**  
**K-T13313-5**  
**ALSO K-300-K**

**ADA**

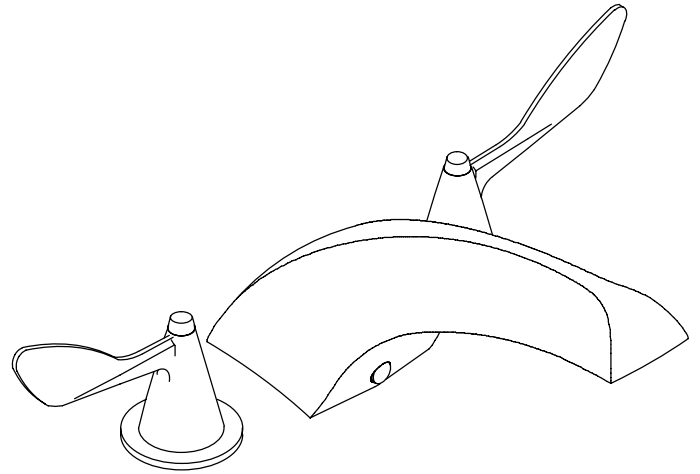
**FEATURES**

- Brass construction
- Deck-mount
- Cast brass 8-5/8" Roman non-diverter spout with slip-fit connection
- Wrist control lever handles

**CODES/STANDARDS APPLICABLE**

Specified model meets or exceeds the following:

- ASME/ANSI A112.18.1M
- CSA B125

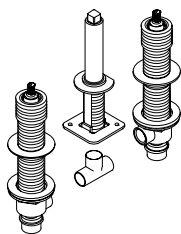


**COLORS/FINISHES**

- CP Polished Chrome
- PB Polished Brass

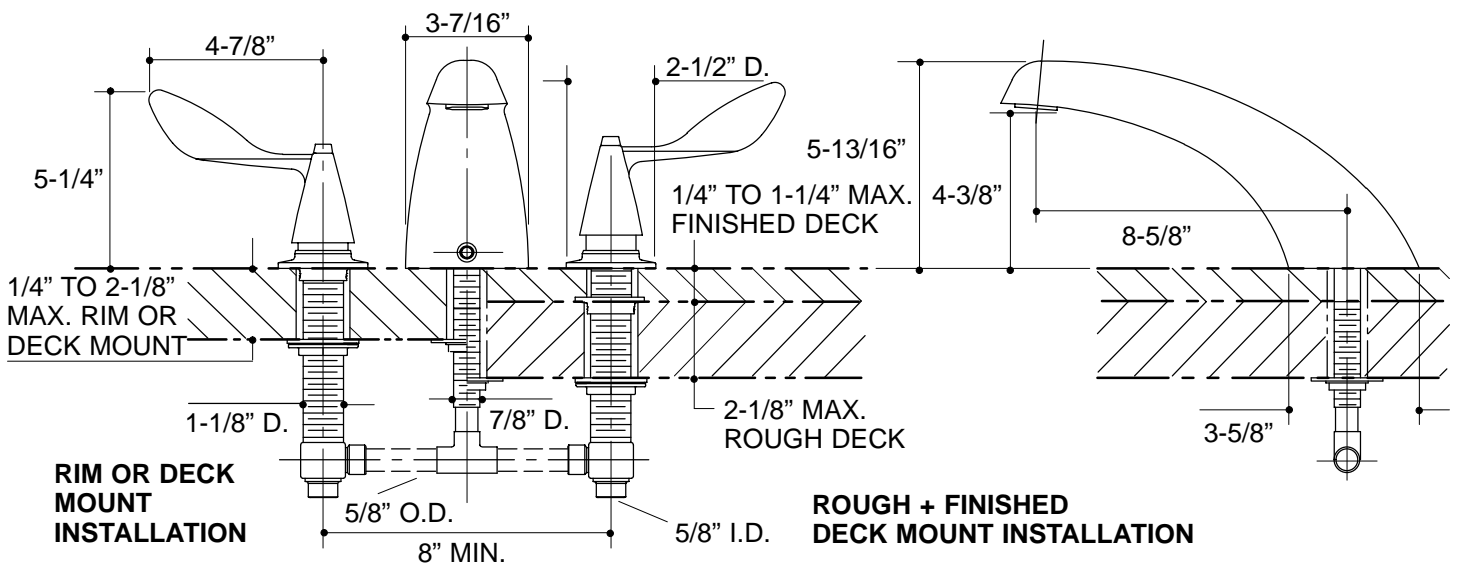
**SPECIFIED MODEL:** For complete faucet, both faucet trim and valve system must be specified.

Model	Description		
K-T13313-5	Finesse Deck-Mount Bath Faucet Trim	<input type="checkbox"/> CP	<input type="checkbox"/> PB

Required Accessory		
K-300-K	1/2" High-Flow Ceramic Disc Valve System	<input type="checkbox"/> NA

**PRODUCT SPECIFICATION:**

Two-handle deck-mount bath faucet trim shall be of brass construction. Product shall include 8-5/8" Roman non-diverter spout with slip-fit connection, and wrist control lever handles. Faucet trim shall be Kohler Model K-T13313-5-\_\_\_\_ and valve system shall be Kohler Model K-300-K-NA.



**PRODUCT DIAGRAM**