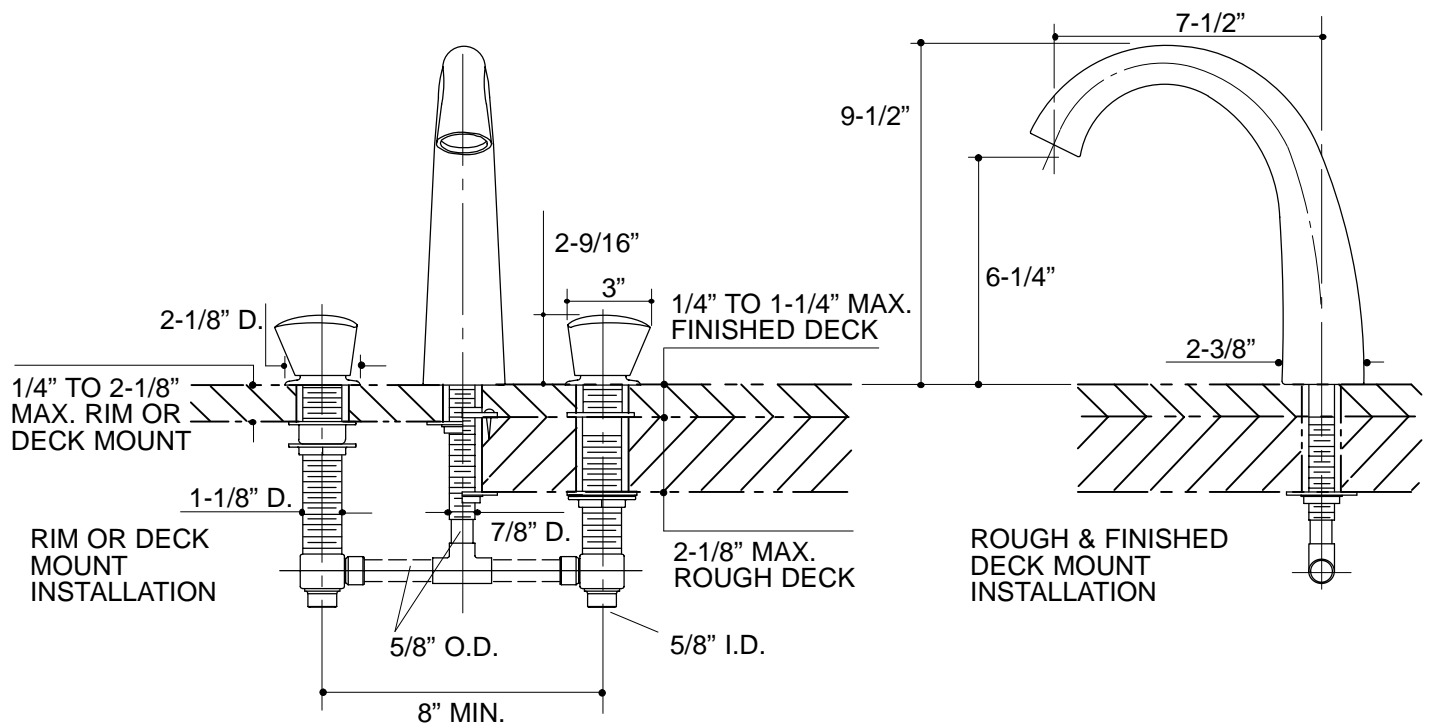


Ordering Information

Applicable faucet trim:		
Euro handles with spout*	K-T15804-1	
Applicable valve:		
1/2" valve system (shown)	K-15708-K-NA	required**
1/2" valve system with rigid connections	K-15708-KR-NA	required**
*1/2" Valve system must be ordered to complete faucet.		
**Required for configuration illustrated.		



316

K-T15804-1, K-15708-K Provence™ Bath Faucet
115702-1-AA (-)

KOHLER®

NOTES: