

BATH FAUCET
K-T15804-1
ALSO K-15708-K

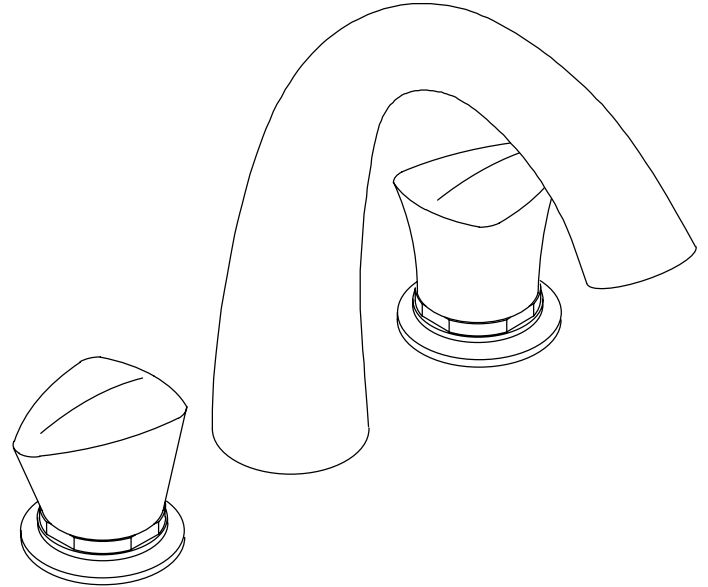
FEATURES

- Brass construction
- Deck-mount
- 7-1/2" high-arch non-diverter spout with slip-fit connection
- Euro handles

CODES/STANDARDS APPLICABLE

Specified model meets or exceeds the following:

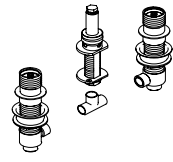
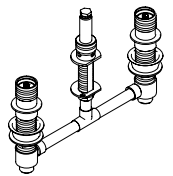
- ASME/ANSI A112.18.1M
- CSA B125



COLORS/FINISHES

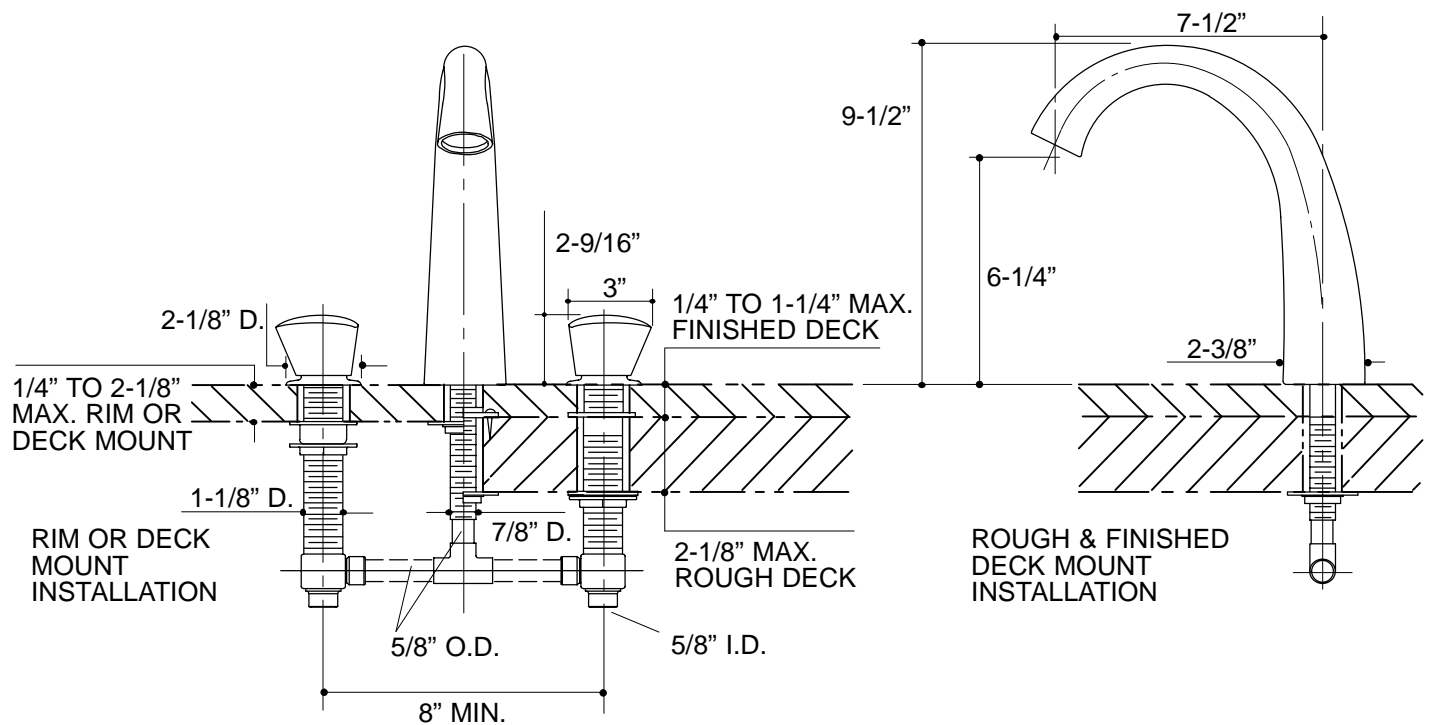
- CP Polished Chrome
- PB Polished Brass

SPECIFIED MODEL: For complete faucet, both faucet trim and valve system must be specified.

Model	Description	<input type="checkbox"/> CP	<input type="checkbox"/> PB
K-T15804-1	Provence Deck-Mount High-Flow Bath Faucet Trim	<input type="checkbox"/> CP	<input type="checkbox"/> PB
Required Valve System			
K-15708-K	1/2" Ceramic Disc Valve System; Less Connections	<input type="checkbox"/> NA	
K-15708-KR	1/2" Ceramic Disc Valve System; With 8" Rigid Connections		<input type="checkbox"/> NA

PRODUCT SPECIFICATION:

Deck-mount high-flow bath faucet trim shall be of brass construction. Product shall include 7-1/2" high-arch non-diverter spout with slip-fit connection, and euro handles. Faucet trim shall be Kohler Model K-T15804-1-_____ and valve system shall be Kohler Model K-15708-_____-NA.



316

PRODUCT DIAGRAM