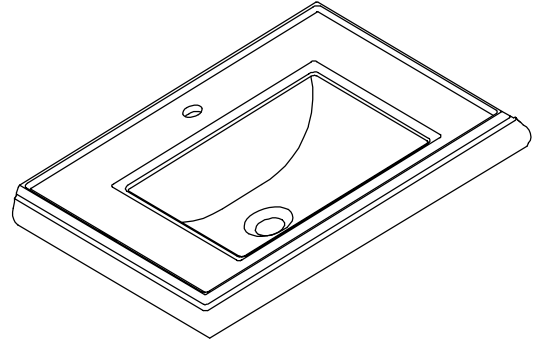


FEATURES

- 22-3/4" x 18"
- Vitreous china
- Self-rimming
- With overflow
- With sealant
- Single-hole (K-2241-1), 4" centers (K-2241-4), or 8" centers (K-2241-8) drilling



CODES/STANDARDS APPLICABLE

Specified model meets or exceeds the following:

- ASME/ANSI A112.19.2M
- IAPMO/UPC
- Canadian Standards Association (CSA)
- State of Massachusetts

COLORS/FINISHES

- 0 White
- Other Refer to Fixtures Price Book for additional colors

Accessories:

- CP Polished Chrome
- Other Refer to Faucets Price Book for additional finishes

SPECIFIED MODEL:

Model	Description	Colors/Finishes	
K-2241-1	Single-hole lavatory	<input type="checkbox"/> 0 White	<input type="checkbox"/> Other_____
K-2241-4	4" centers lavatory	<input type="checkbox"/> 0 White	<input type="checkbox"/> Other_____
K-2241-8	8" centers lavatory	<input type="checkbox"/> 0 White	<input type="checkbox"/> Other_____

Recommended Accessories			
K-8998	Trap	<input type="checkbox"/> CP	<input type="checkbox"/> Other_____

PRODUCT SPECIFICATION:

The self-rimming lavatory shall be 22-3/4" in length and 18" in width. Lavatory shall be made of vitreous china. Lavatory shall have single-hole (K-2241-1), 4" centers (K-2241-4), or 8" centers (K-2241-8) drilling. Lavatory shall be Kohler Model K-2241-_____-_____.

PRODUCT INFORMATION

Fixture*:		basin area	water depth
Lavatory		17" x 10"	5"
Outlet	1-3/4" D.		
* Approximate measurements for comparison only.			

Holes	K-2241-1	K-2241-4	K-2241-8
Spout	1-3/8" D.	1-3/16" D.	1-3/16"
Faucet		1-3/16" D.	1-7/16"

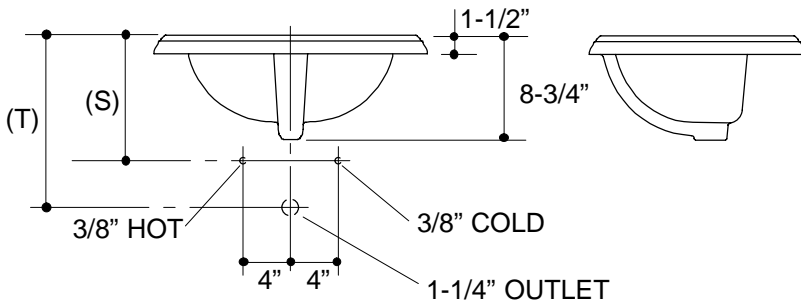
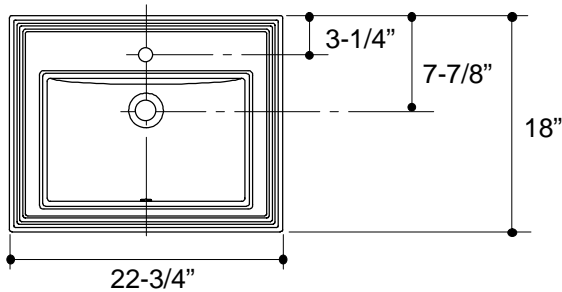
Included Components:	
Lavatory basin, single-hole	K-2241-1
Lavatory basin, 4" centers	K-2241-4
Lavatory basin, 8" centers	K-2241-8
Sealant	63034
Cutout template	115707-7

Roughing-In Notes

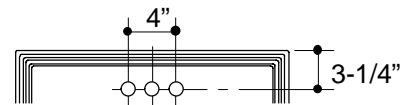
(T) Pop-up drain 14-3/8", grid drain 13-1/2".

(S) 10" (Based on 12" riser which may require cutting).

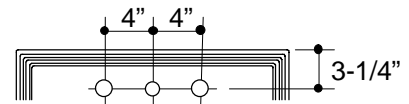
K-2241-1



K-2241-4



K-2241-8



PRODUCT DIAGRAM