

Ordering Information

Applicable product:		
Left corner to wall	K-1333	not shown
Right corner to wall	K-1334	shown
Accessories/hardware:		
Drain	K-7161-AF	recommended
Apron (left corner bath)	K-1343	optional
Apron (right corner bath)	K-1344	optional
End panel/apron (L corner)	K-1350	optional
End panel/apron (R corner)	K-1351	optional

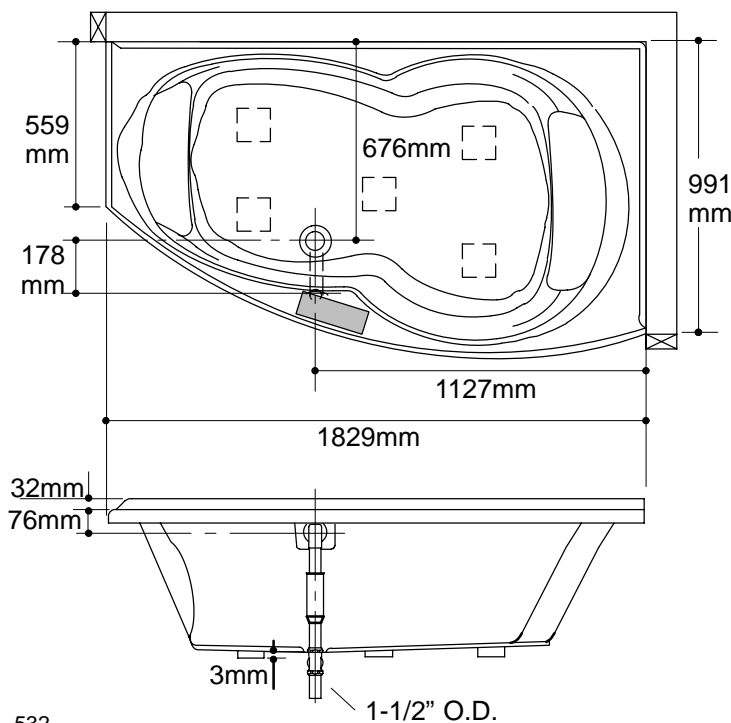
Product Information

Fixture*:	basin area	top area	weight
Bathing well	1245 x 787mm	1651 x 965mm	39 Kg.
	water depth	capacity	
To overflow	381mm	341 litres	
* Approximate measurements for comparison only.			

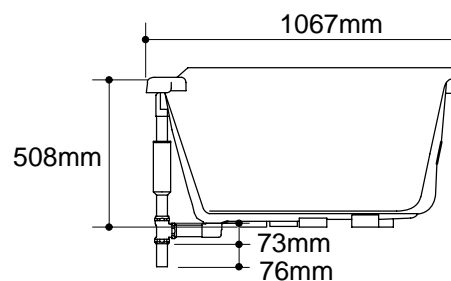
Installation Notes

Refer to installation instructions included with fixture before beginning installation.

If installing a rim-mount faucet, make sure there is no interference with drain overflow before drilling any holes. Consult local and national codes for minimum air gap requirements if installing a spout on the faucet deck.



Roughing-In Notes	
Fixture dimensions are nominal and conform to tolerances in ANSI/ASME Standard Z124.1.	
No change in measurements if connected with drain illustrated.	
Locate studs to outside edges of unit for apron and end panel installation.	
Faucet area	recommended



532