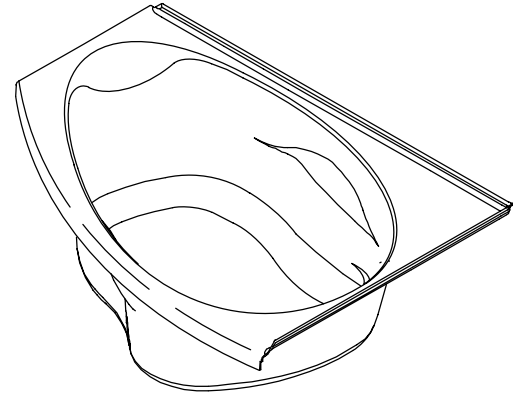


FEATURES

- 60" x 42" x 20"
- Acrylic
- Left or right corner

K-1313, K-1314



CODES/STANDARDS APPLICABLE

Specified model meets or exceeds the following:

- ANSI Z124.1
- IAPMO/UPC
- Canadian Standards Association (CSA)
- State of Massachusetts

COLORS/FINISHES

- 0 White
- Other Refer to Fixtures Price Book for additional colors

Accessories:

- CP Polished Chrome
- PB Polished Brass
- Other Refer to Price Book for additional finishes

SPECIFIED MODEL:

| Model | Description | Colors/Finishes | |
|--------|---------------------------|----------------------------------|-------------------------------------|
| K-1313 | Left corner to wall bath | <input type="checkbox"/> 0 White | <input type="checkbox"/> Other_____ |
| K-1314 | Right corner to wall bath | <input type="checkbox"/> 0 White | <input type="checkbox"/> Other_____ |

| Recommended Accessories | | | | |
|-------------------------|-------------------------------------|----------------------------------|-------------------------------------|-------------------------------------|
| K-7161-AF | Drain | <input type="checkbox"/> CP | <input type="checkbox"/> PB | <input type="checkbox"/> Other_____ |
| Optional Accessories | | | | |
| K-1341 | Apron (left corner bath) | <input type="checkbox"/> 0 White | <input type="checkbox"/> Other_____ | |
| K-1342 | Apron (right corner bath) | <input type="checkbox"/> 0 White | <input type="checkbox"/> Other_____ | |
| K-1345 | Apron/end panel (left corner bath) | <input type="checkbox"/> 0 White | <input type="checkbox"/> Other_____ | |
| K-1347 | Apron/end panel (right corner bath) | <input type="checkbox"/> 0 White | <input type="checkbox"/> Other_____ | |

PRODUCT SPECIFICATION:

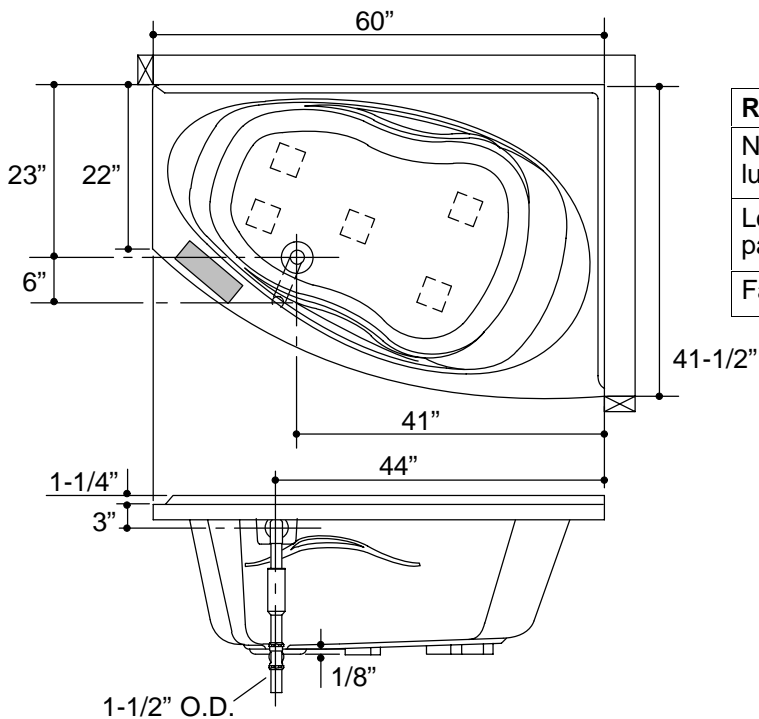
The bath shall be 60" in length, 42" in width, and 20" in height. Bath shall be made of acrylic. Bath shall be made to fit left or right corner. Bath shall be Kohler Module K-_____-_____.

PRODUCT INFORMATION

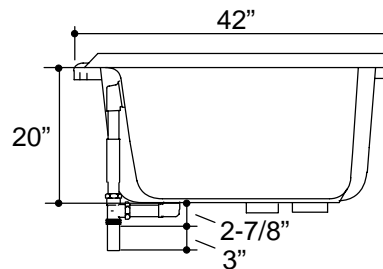
| | | | |
|---|-------------|-----------|---------|
| Fixture*: | basin area | top area | weight |
| Bathing well | 42" x 29" | 52" x 32" | 80 lbs. |
| | water depth | capacity | |
| To overflow | 15" | 68 gal. | |
| * Approximate measurements for comparison only. | | | |

INSTALLATION NOTES

If installing a rim-mount faucet, make sure there is no interference with drain overflow before drilling any holes. Consult local and national codes for minimum air gap requirements if installing a spout on the faucet deck.



| Roughing-In Notes | |
|---|-------------|
| No change in measurements if connected with drain illustrated. | |
| Locate studs to outside edges of unit for apron and end panel installation. | |
| Faucet area | recommended |



532

PRODUCT DIAGRAM