

Ordering Information

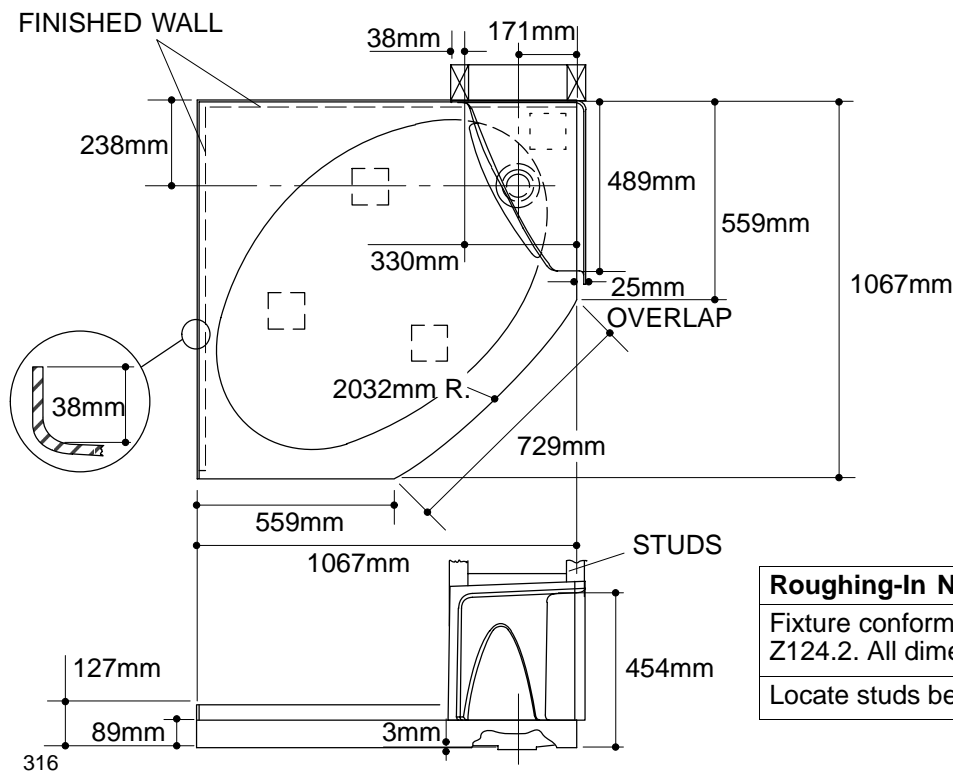
Applicable product:		
Left corner to wall	K-9545	shown
Right corner to wall	K-9546	not shown
Accessories/hardware:		
Drain	K-9134	recommended

Product Information

Fixture:	
Weight:	23 Kg.
Drain Outlet:	Ø86mm
Configuration:	2-piece

Installation Notes

Refer to installation instructions included with fixture before beginning installation.



Roughing-In Notes

Fixture conforms to tolerances in ANSI Standard Z124.2. All dimensions are nominal.

Locate studs behind bench nailing-in flanges.