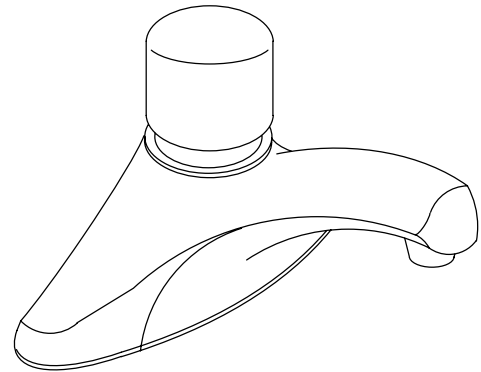


**ELECTRONIC METERING FAUCET
K-7499**

FEATURES

- Metal construction
- Metal throatplate
- Brass valve body
- For 4" centers
- Self-closing valve
- 4-1/4" spout
- Vandal-resistant aerator
- Includes four alkaline AA-size batteries
- Ground joint connection with nut
- Faucet function .25 gallons per cycle maximum

ADA



CODES/STANDARDS APPLICABLE

Specified model meets or exceeds the following:


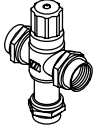
- ASME/ANSI A112.18.1M
- CABO/ANSI A117.1
- CSA B125
- IAPMO/UPC

COLORS/FINISHES

- CP Polished Chrome

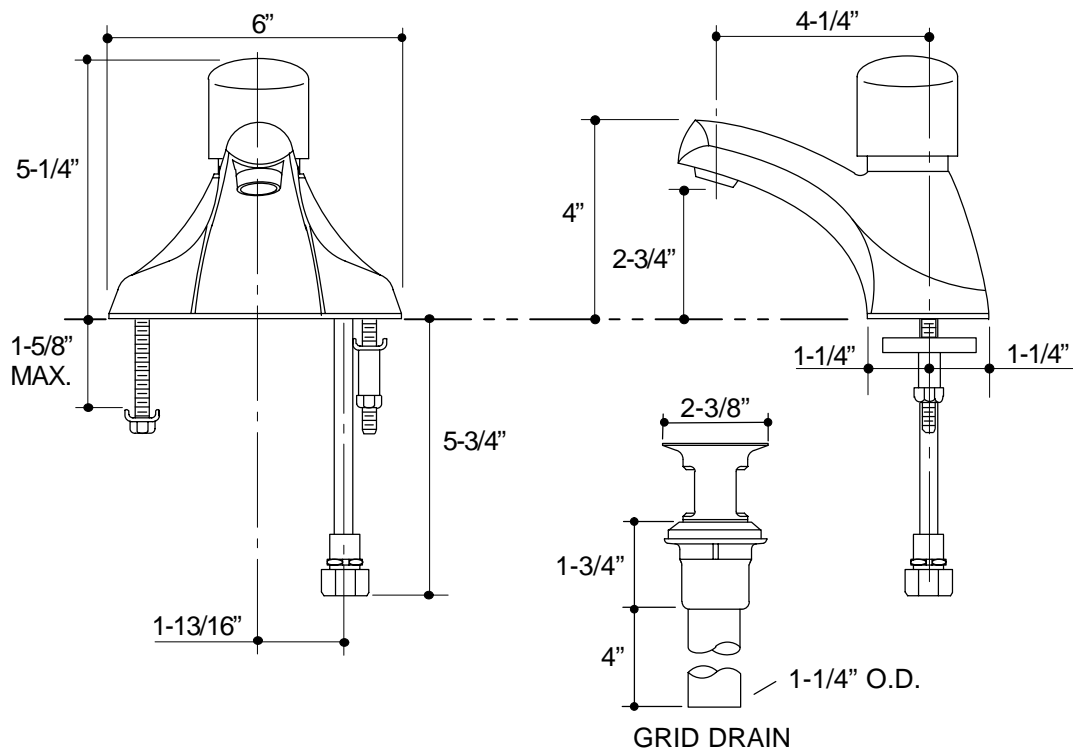
SPECIFIED MODEL:

Model	Description	
K-7499	Intrepid Electronic Metering Faucet	<input type="checkbox"/> CP

Optional Accessories			
K-7715	Lavatory Grid Drain	<input type="checkbox"/> CP	
K-13601	Thermostatic Mixing Valve		<input type="checkbox"/> NA

PRODUCT SPECIFICATION:

Electronic metering faucet shall be of metal construction. Faucet shall feature a brass valve body. Product shall be less than 4" drain. Product shall include 4" centers, self-closing valve, 4-1/4" spout, vandal-resistant aerator, four alkaline AA-size batteries, and ground joint connection with nut. Faucet shall be Kohler Model K-7499-CP.



PRODUCT DIAGRAM