

Ordering Information

Applicable product:		
8" centers lavatory	K-2030	shown
soap dispenser on left	K-2030-L	
soap dispenser on right	K-2030-R	
4" centers lavatory	K-2032	not shown
soap dispenser on left	K-2032-L	
soap dispenser on right	K-2032-R	
Single-hole lavatory	K-2031	not shown
soap dispenser on left	K-2031-L	
soap dispenser on right	K-2031-R	
Accessories/hardware:		
Brackets	K-1808-P	optional
Trap	K-8998	recommended

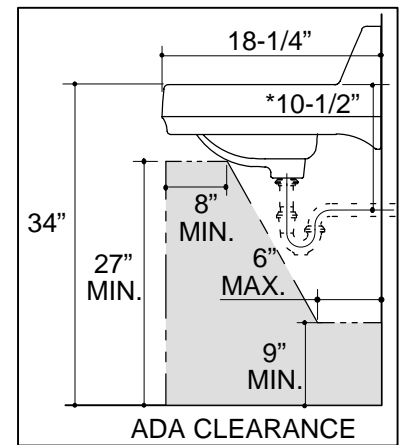
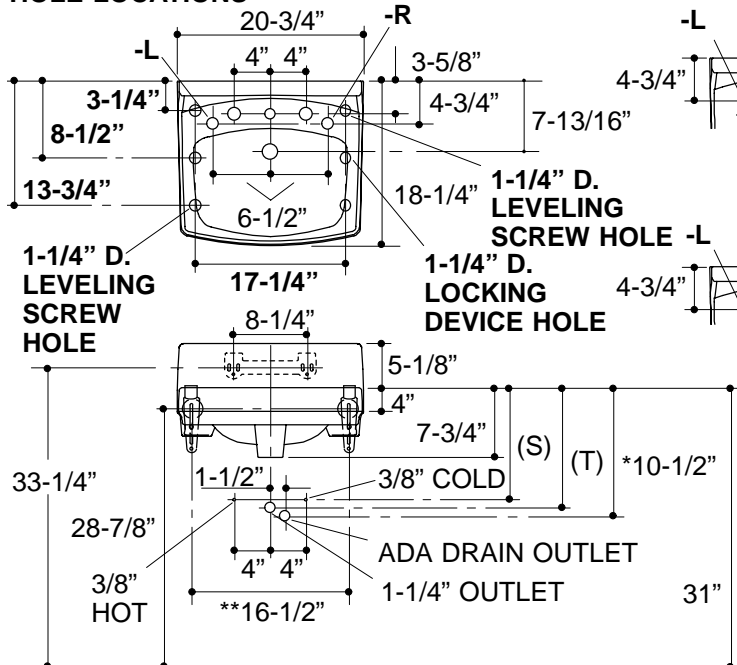
Product Information

ADA compliant.			
Fixture*:		basin area	water depth
Lavatory		15" x 10"	3-1/4"
Outlet	1-3/4" D.		
* Approximate measurements for comparison only.			
Holes	K-2030	K-2032	K-2031
Spout	1-3/16" D.	1-3/16" D.	1-3/8" D.
Faucet	1-7/16" D.	1-3/16" D.	
Soap dispenser			1-1/4" D.
Included Components:			
Hanger			64839
Supplied hanger not used with concealed arm carrier.			

Installation Notes

Refer to installation instructions included with fixture before beginning installation.

CONCEALED ARM HOLE LOCATIONS K-2030



Roughing-In Notes

Fixture dimensions are nominal and conform to tolerances in ASME Standard A112.19.2M.

**Dimensions from centerline to centerline of brackets.

*Based on K-8998, with 1" tailpiece exposed.

(T) Pop-up drain 13-3/8", grid drain 12-1/2".

(S) 14" (Based on 12" riser which may require cutting).

.75<14