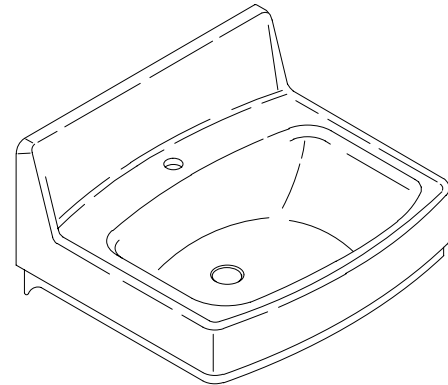


WALL-MOUNT LAVATORY

K-2030, K-2031, K-2032

ADA



FEATURES

- 20-3/4" x 18-1/4"
- Vitreous china
- Wall-mount
- 8" centers (K-2030), 4" centers (K-2032) or single-hole (K-2031)
- With overflow
- ADA compliant
- With hanger
- Drilled for concealed arm carrier
- Optional soap dispenser hole on left (-L) or right (-R)

CODES/STANDARDS APPLICABLE

Specified model meets or exceeds the following:

- ADA
- ASME/ANSI A112.19.2M
- CABO/ANSI A117.1
- IAPMO/UPC
- Canadian Standards Association (CSA)
- State of Massachusetts

COLORS/FINISHES

- 0 White
- Other Refer to Fixtures Price Book for additional colors

Accessories:

- CP Polished Chrome
- Other Refer to Faucets Price Book for additional finishes

SPECIFIED MODEL:

Model	Description	Colors/Finishes	
K-2030	8" centers lavatory less soap dispenser hole	<input type="checkbox"/> 0 White	<input type="checkbox"/> Other_____
K-2030-L	8" centers lavatory with soap dispenser hole on left	<input type="checkbox"/> 0 White	<input type="checkbox"/> Other_____
K-2030-R	8" centers lavatory with soap dispenser hole on right	<input type="checkbox"/> 0 White	<input type="checkbox"/> Other_____
K-2032	4" centers lavatory less soap dispenser hole	<input type="checkbox"/> 0 White	<input type="checkbox"/> Other_____
K-2032-L	4" centers lavatory with soap dispenser hole on left	<input type="checkbox"/> 0 White	<input type="checkbox"/> Other_____
K-2032-R	4" centers lavatory with soap dispenser hole on right	<input type="checkbox"/> 0 White	<input type="checkbox"/> Other_____
K-2031	Single-hole lavatory less soap dispenser hole	<input type="checkbox"/> 0 White	<input type="checkbox"/> Other_____
K-2031-L	Single-hole lavatory with soap dispenser hole on left	<input type="checkbox"/> 0 White	<input type="checkbox"/> Other_____
K-2031-R	Single-hole lavatory with soap dispenser hole on right	<input type="checkbox"/> 0 White	<input type="checkbox"/> Other_____

Recommended Accessories			
K-8998	Trap	<input type="checkbox"/> CP	<input type="checkbox"/> Other_____

PRODUCT SPECIFICATION:

The lavatory with back shall be 20-3/4" in length, and 18-1/4" in width. Lavatory shall be made of vitreous china. Lavatory shall be wall-mount with hanger. Lavatory shall have 8" centers (K-2030), 4" centers (K-2032), or single-hole (K-2031) drilling. Lavatory shall have overflow. Lavatory shall be ADA compliant. Lavatory shall be drilled for concealed arm carrier. Lavatory shall have optional soap dispenser hole on left (-L) or right (-R). Lavatory shall be Kohler Model K-_____-_____-_____.

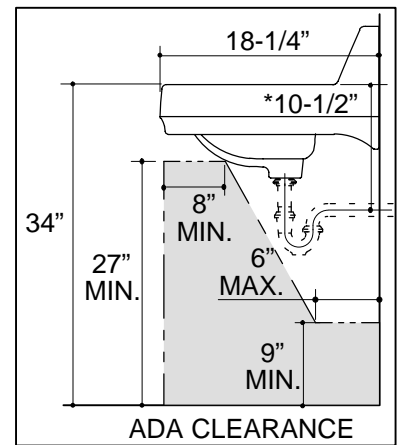
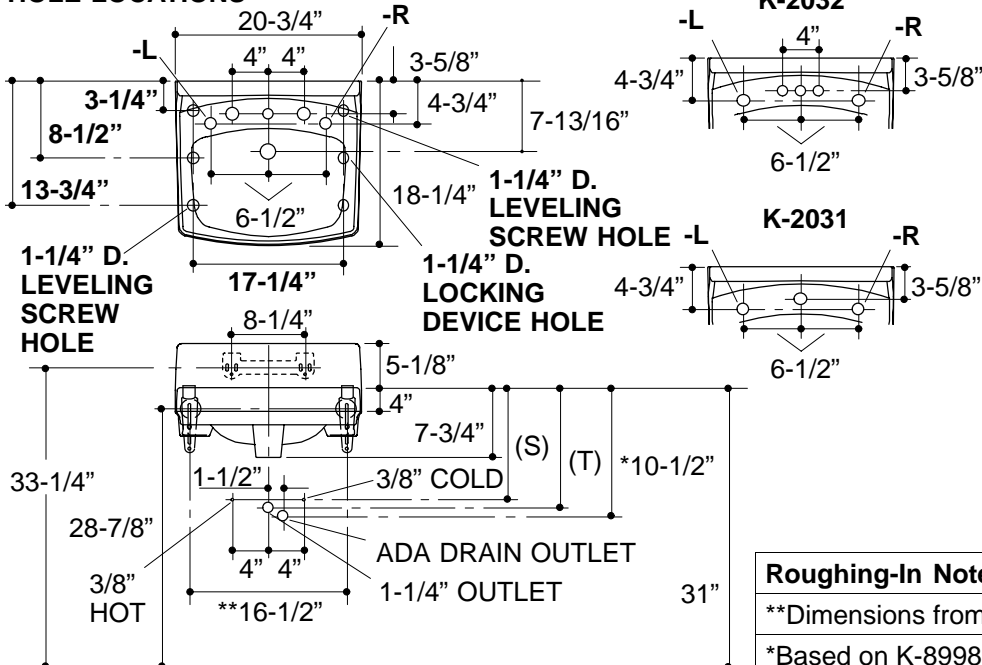
PRODUCT INFORMATION

ADA compliant.			
Fixture*:		basin area	water depth
Lavatory		15" x 10"	3-1/4"
Outlet	1-3/4" D.		
* Approximate measurements for comparison only.			
Holes	K-2030	K-2032	K-2031
Spout	1-3/16" D.	1-3/16" D.	1-3/8" D.
Faucet	1-7/16" D.	1-3/16" D.	
Soap dispenser			1-1/4" D.
Included Components:			
Hanger			64839
Supplied hanger not used with concealed arm carrier.			

INSTALLATION NOTES

Refer to installation instructions included with fixture before beginning installation.

CONCEALED ARM HOLE LOCATIONS K-2030



Roughing-In Notes

- **Dimensions from centerline to centerline of brackets.
- *Based on K-8998, with 1" tailpiece exposed.
- (T) Pop-up drain 13-3/8", grid drain 12-1/2".
- (S) 14" (Based on 12" riser which may require cutting).

PRODUCT DIAGRAM