

Ordering Information

Applicable product:		
Single-hole lavatory	K-2258-1	shown
102mm centers lavatory	K-2258-4	not shown
203mm centers lavatory	K-2258-8	not shown
Accessories/hardware		
Lavatory supplies, 3/8"	K-7605-P	recommended

Product Information

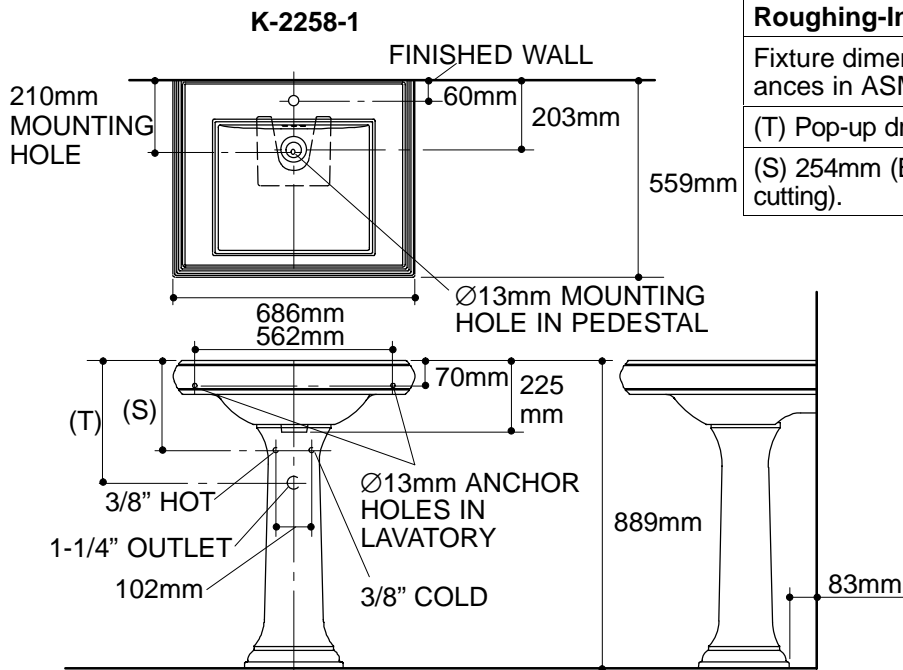
Fixture*:		basin area	water depth
Lavatory		457 x 381mm	137mm
Outlet	Ø44mm		
* Approximate measurements for comparison only.			

Holes	K-2258-1	K-2258-4	K-2258-8
Spout	Ø35mm	Ø30mm	Ø30mm
Faucet		Ø30mm	Ø37mm

Included Components:	
Lavatory basin, single-hole	K-2259-1
Lavatory basin, 102mm centers	K-2259-4
Lavatory basin, 203mm centers	K-2259-8
Pedestal	K-2267
Rubber pads	63069
Lavatory accessory pack	52204

Installation Notes

Refer to installation instructions included with fixture before beginning installation.



Roughing-In Notes

Fixture dimensions are nominal and conform to tolerances in ASME/ANSI Standard A112.19.9M.

(T) Pop-up drain 368mm, grid drain 346mm.

(S) 254mm (Based on 305mm riser which may require cutting).

