

**Ordering Information**

Applicable product:		
Single-hole lavatory	K-2268-1	shown
203mm centers lavatory	K-2268-8	not shown
Accessories/hardware		
Lavatory supplies, 3/8"	K-7605-P	recommended

**Product Information**

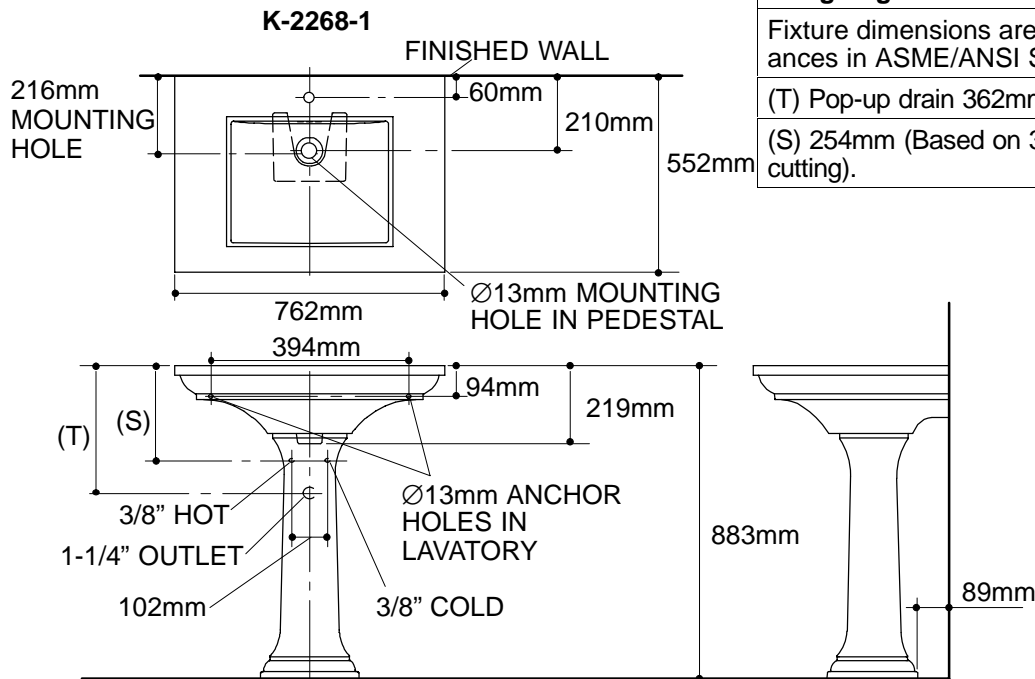
Fixture*:		basin area	water depth
Lavatory		457 x 356mm	127mm
Outlet	Ø44mm		
* Approximate measurements for comparison only.			

Holes	<b>K-2268-1</b>	<b>K-2268-8</b>	
Spout	Ø35mm	Ø30mm	
Faucet		Ø37mm	

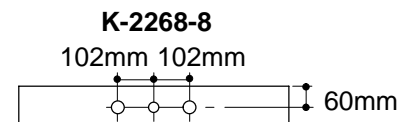
Included Components:	
Lavatory basin, single-hole	K-2269-1
Lavatory basin, 203mm centers	K-2269-8
Pedestal	K-2267
Rubber pads	63069
Lavatory accessory pack	52204

**Installation Notes**

Refer to installation instructions included with fixture before beginning installation.



<b>Roughing-In Notes</b>
Fixture dimensions are nominal and conform to tolerances in ASME/ANSI Standard A112.19.9M.
(T) Pop-up drain 362mm, grid drain 340mm.
(S) 254mm (Based on 305mm riser which may require cutting).



.75<116