

Ordering Information

| Accessories/hardware: | | |
|-----------------------|--------|-------------|
| Jet trim kit | K-9392 | required |
| Grip rails (pr.) | K-9653 | required |
| Drain | K-7161 | recommended |

Required Electrical Service

| | |
|---|--------------------|
| Dedicated circuit required, protected with Class A Ground-Fault Circuit-Interrupter (GFCI): | |
| Pump/control | 120 V, 20 A, 60 Hz |

Product Information

| Fixture*: | basin area | top area | weight |
|--------------|-------------|-----------|----------|
| Bathing well | 42" x 24" | 58" x 27" | 120 lbs. |
| | water depth | capacity | |
| To overflow | 16" | 78 gals. | |

* Approximate measurements for comparison only.

| Pump: | HP | V | Hz | A |
|---------|----|-----|----|------|
| 1-speed | 2 | 120 | 60 | 18.5 |

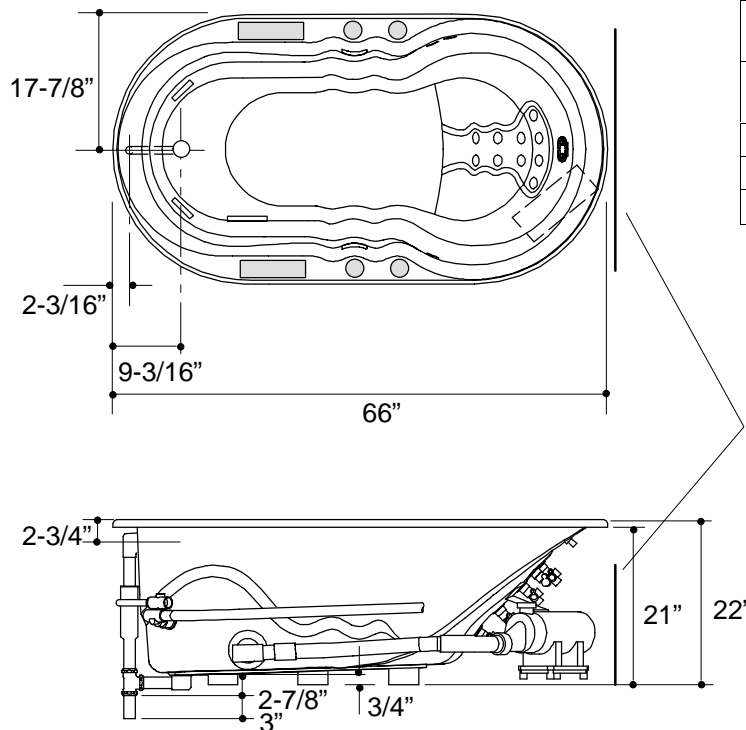
| Included Components: | |
|----------------------|----------|
| Cutout template | 115741-7 |

Installation Notes

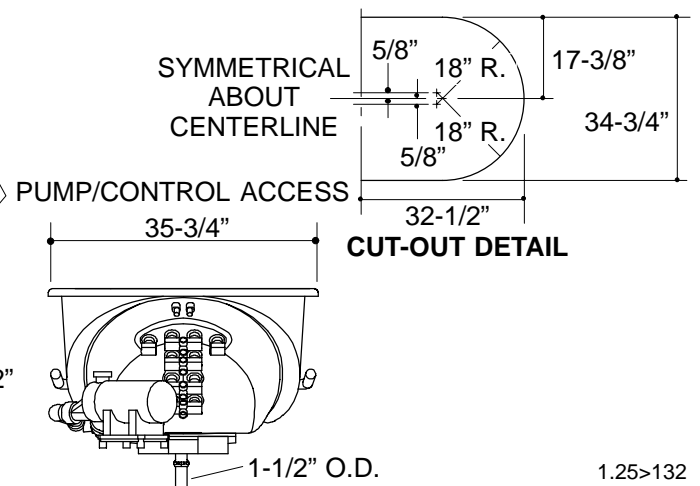
Refer to installation instructions included with fixture before beginning installation.

If installing a rim-mount faucet, make sure there is no interference with drain overflow and circulating system before drilling any holes. Consult local and national codes for minimum air gap requirements if installing a spout on the faucet deck.

Each pump is supplied with a grounding type plug-in cord. Locate the outlet behind the whirlpool, and within 24" of the pump.



| Roughing-In Notes | | |
|---|---------------------|-------------|
| Fixture conforms to ANSI Standard Z124.1. All dimensions are nominal. | | |
| No change in measurements if connected with drain illustrated. | | |
| Minimum access: | | |
| Pump/control | 30" W x 16" H panel | required |
| Faucet area | | recommended |



1.25>132