

### Ordering Information

Accessories/hardware:		
Jet trim kit	K-9392	required
Grip rails (pr.)	K-9653	required
Drain	K-7161	recommended

### Required Electrical Service

Dedicated circuit required, protected with Class A Ground-Fault Circuit-Interrupter (GFCI):	
Pump/control	120 V, 20 A, 60 Hz

### Product Information

Fixture*:	basin area	top area	weight
Bathing well	1067 x 610mm	1473 x 686mm	54 Kg.
	water depth	capacity	
To overflow	406mm	295 litres	

\* Approximate measurements for comparison only.

Pump:	HP	V	Hz	A
1-speed	2	120	60	18.5

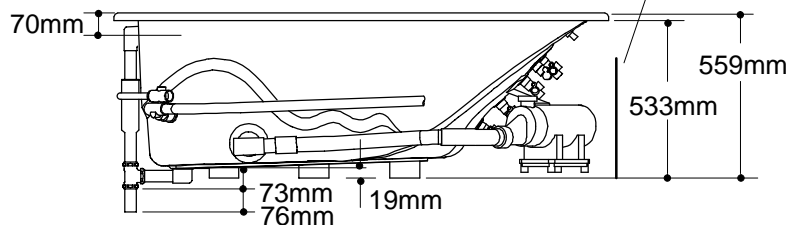
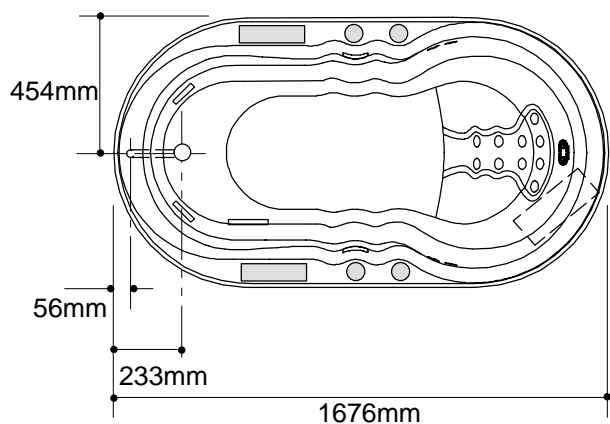
Included Components:	
Cutout template	115741-7

### Installation Notes

Refer to installation instructions included with fixture before beginning installation.

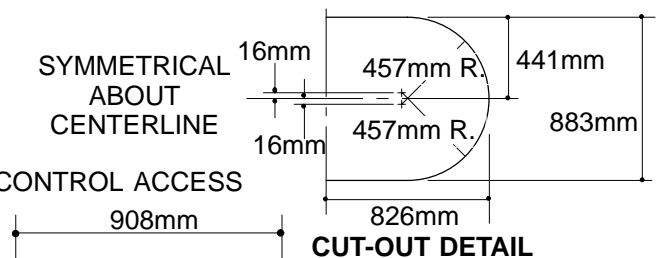
If installing a rim-mount faucet, make sure there is no interference with drain overflow and circulating system before drilling any holes. Consult local and national codes for minimum air gap requirements if installing a spout on the faucet deck.

Pump is supplied with a grounding type plug-in cord. Locate the outlet behind the whirlpool, and within 610mm of the pump.



PUMP/CONTROL ACCESS

Roughing-In Notes		
Fixture conforms to ANSI Standard Z124.1. All dimensions are nominal.		
No change in measurements if connected with drain illustrated.		
Minimum access panel:		
Pump/control	762mm W x 406mm H	required
Faucet area		recommended



1-1/2" O.D.

1.25>132