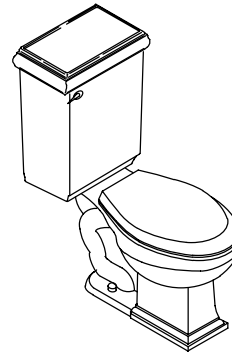


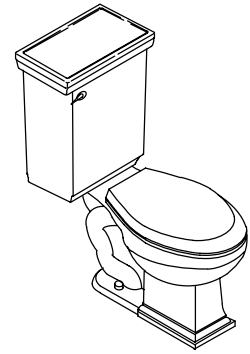
# K-3429, K-3439

## FEATURES

- 12" rough-in
- Vitreous china
- Elongated bowl
- With classic design (K-3429), or stately design (K-3439)
- 1.6 gpf
- 2" glazed trapway
- Includes polished chrome trip lever
- Combination toilet
- Less seat and supply
- With Insuliner® insulated tank lining (-U)



K-3429  
CLASSIC DESIGN



K-3439  
STATELY DESIGN

## CODES/STANDARDS APPLICABLE

- ASME/ANSI A112.19.2M
- ASME/ANSI A112.19.6M
- Energy Policy Act of 1992 (EPACT)
- IAPMO/UPC
- Canadian Standards Association (CSA)
- States of Connecticut, Massachusetts, & Texas
- City of Los Angeles, CA

## COLORS/FINISHES

- 0 White
- Other Refer to Fixtures Price Book for additional colors

### Accessories:

- CP Polished Chrome
- Other Refer to Faucets Price Book for additional finishes

## SPECIFIED MODEL:

Model	Description	Colors/Finishes	
K-3429	Elongated bowl toilet, classic design	<input type="checkbox"/> 0 White	<input type="checkbox"/> Other_____
K-3429-U	Elongated bowl toilet with insuliner, classic design	<input type="checkbox"/> 0 White	<input type="checkbox"/> Other_____
K-3439	Elongated bowl toilet, stately design	<input type="checkbox"/> 0 White	<input type="checkbox"/> Other_____
K-3439-U	Elongated bowl toilet with insuliner, stately design	<input type="checkbox"/> 0 White	<input type="checkbox"/> Other_____

### Recommended Accessories

K-4653	French Curve™ seat with cover	<input type="checkbox"/> 0 White	<input type="checkbox"/> Other_____
K-7637	Angle supply with stop	<input type="checkbox"/> CP	<input type="checkbox"/> PB <input type="checkbox"/> Other_____

### Optional Accessories

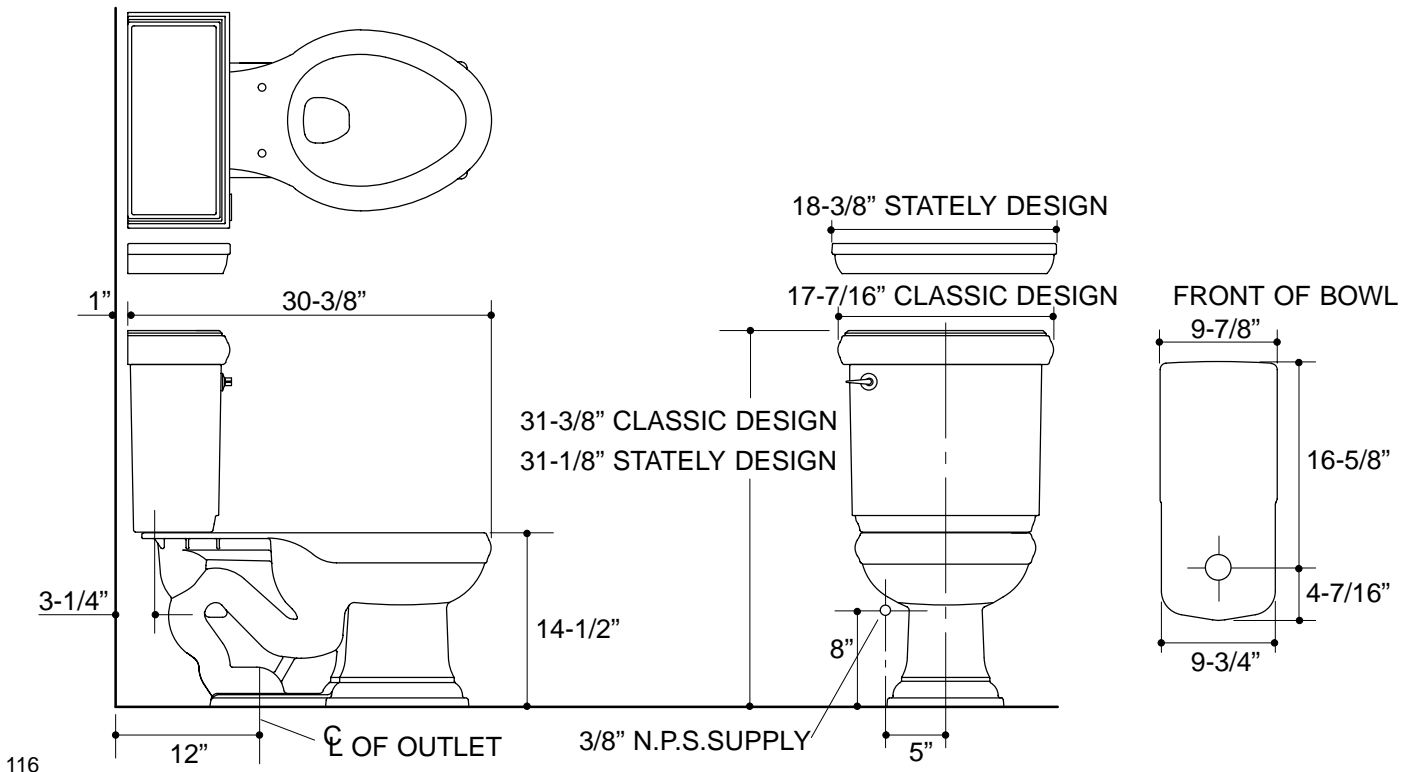
K-9439	Trip lever (non-CP)	<input type="checkbox"/> PB	<input type="checkbox"/> Other_____
--------	---------------------	-----------------------------	-------------------------------------

## PRODUCT SPECIFICATION:

The elongated combination toilet shall be 12" rough-in. Toilet shall be made of vitreous china. Toilet shall be with classic design (K-3429), or stately design (K-3439). Toilet shall be 1.6 gpf. Toilet shall have 2" glazed trapway. Toilet shall include polished chrome trip lever. Toilet shall be less seat and supply. Toilet shall have Insuliner® insulated tank lining (-U). Toilet shall be Kohler Model K-\_\_\_\_\_-\_\_\_\_\_-\_\_\_\_\_.

## PRODUCT INFORMATION

Fixture:	
Configuration	2-piece, elongated
Gallons per flush	1.6
Passageway	2"
Water depth from rim	5-3/8"
Seat post hole centers	5-1/2"
Included components:	
Bowl	K-4254
Tank with classic design	K-4454
Tank with stately design	K-4464
Tank cover, classic design	84406
Tank cover, stately design	84407
Trip lever	K-9439



## PRODUCT DIAGRAM