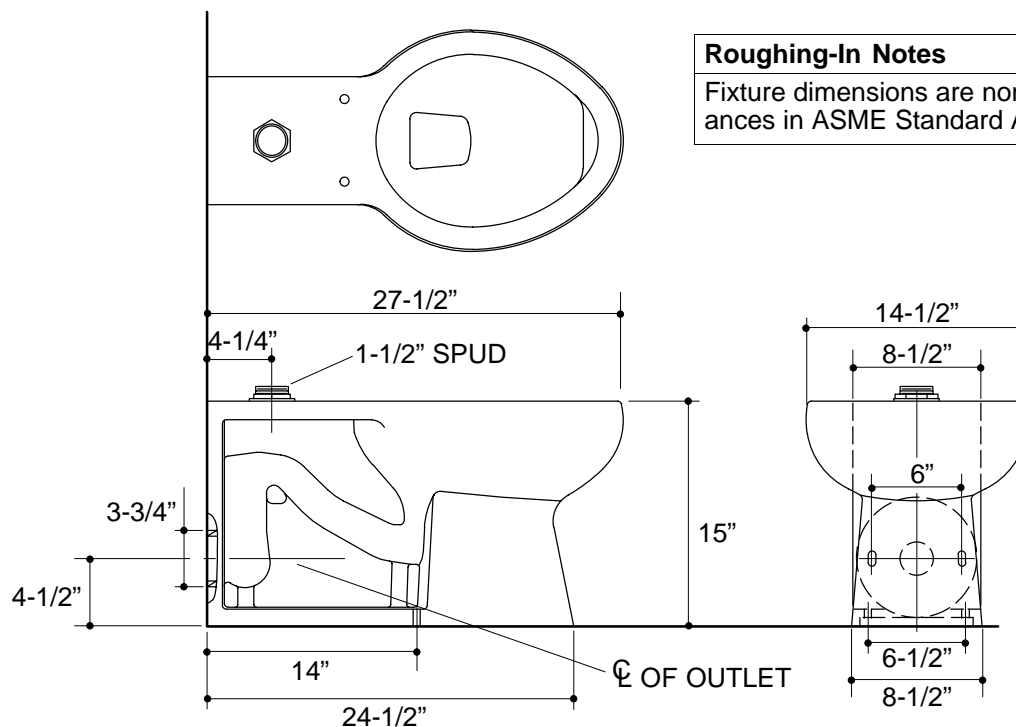


### Ordering Information

Accessories/hardware:		
Seat	K-4670-C	recommended
Seat (with anti-microbial agent)	K-4670-CA	recommended
Floor bolts (pr.)	21401	recommended

### Product Information

Fixture:	
Configuration	Top spud, elongated
Gallons per flush	1.6 gallons*
Spud size	1-1/2"
Passageway	2-3/8"
Water area	11" x 9-1/2"
Water depth from rim	5-1/4"
Seat post hole centers	5-1/2"
* Designed to flush with 1.6 gallons of water when installed with a 1.6 gpf valve.	
Included Components:	
Spud	18357
Bolt caps (pr.)	52048
Floor screws (pr.)	21402
Flush valve requirements: Refer to manufacturer and local codes.	



### Roughing-In Notes

Fixture dimensions are nominal and conform to tolerances in ASME Standard A112.19.2M.

1.25>116

**K-4386** Anglesey™ Toilet  
115750-1-AA (A)

**KOHLER®**