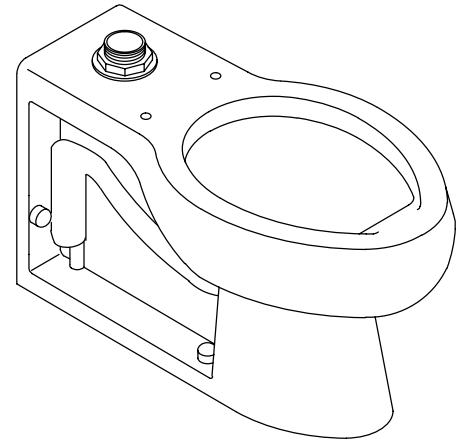


### FEATURES

- 4-1/2" rough-in
- 1-1/2" top spud
- Vitreous china
- Elongated bowl
- 2-3/8" passageway
- 11" x 9-1/2" water area
- Angle back and wall outlet
- 1.6 gpf



### CODES/STANDARDS APPLICABLE

Specified model meets or exceeds the following:

- ASME/ANSI A112.19.2M
- ASME/ANSI A112.19.6M
- Energy Policy Act of 1992 (EPACT)
- IAPMO/UPC

### COLORS/FINISHES

- 0 White
- Other Refer to Fixtures Price Book for additional colors

#### Accessories:

- 0 White
- Other Refer to Fixtures Price Book for additional colors

### SPECIFIED MODEL:

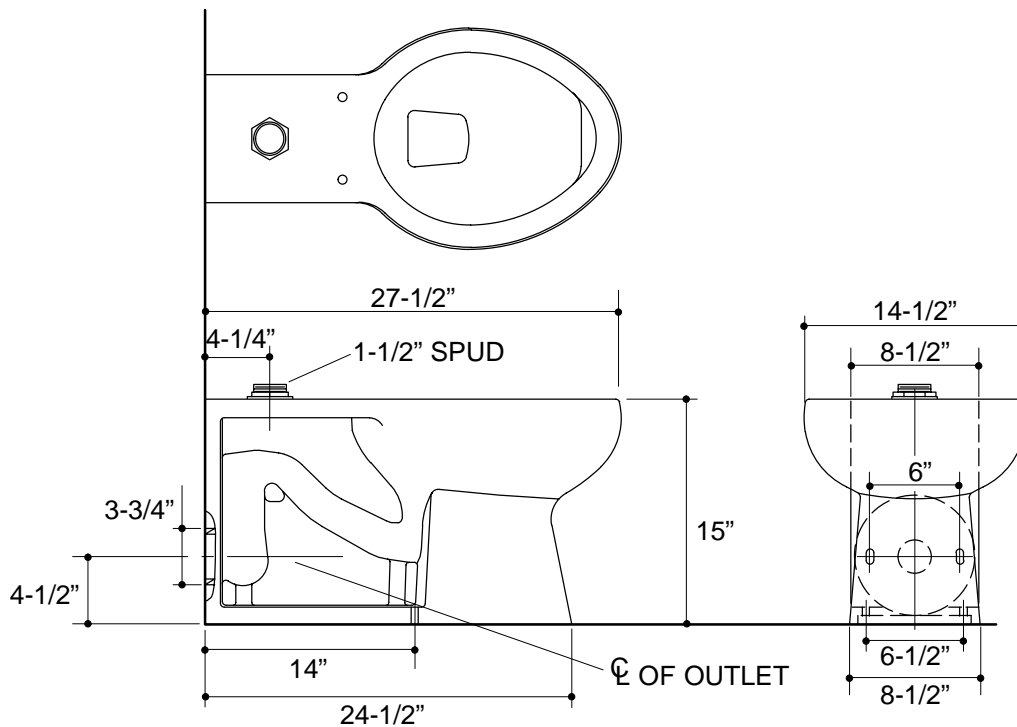
| Model                   | Description   | Colors/Finishes                  |                                     |
|-------------------------|---|----------------------------------|-------------------------------------|
| K-4386                  | Elongated bowl toilet                               | <input type="checkbox"/> 0 White | <input type="checkbox"/> Other_____ |
| Recommended Accessories |   |                                  |                                     |
| K-4670-C                | Lustra™ open front seat                             | <input type="checkbox"/> 0 White | <input type="checkbox"/> Other_____ |
| K-4670-CA               | Lustra™ open front seat (with anti-microbial agent) | <input type="checkbox"/> 0 White |                                     |

### PRODUCT SPECIFICATION:

The elongated bowl shall be 4-1/2" rough-in with 1-1/2" top spud. Bowl shall be made of vitreous china. Bowl shall be 1.6 gpf. Bowl shall have a 2-3/8" passageway. Bowl shall have 11" x 9-1/2" water area. Bowl shall have angle back and wall outlet. Bowl shall be Kohler Model K-4386-\_\_\_\_\_.

## PRODUCT INFORMATION

|  |                     |
|--|---------------------|
| Fixture:   |                     |
| Configuration  | Top spud, elongated |
| Gallons per flush  | 1.6 gallons*        |
| Spud size  | 1-1/2"              |
| Passageway   | 2-3/8"              |
| Water area   | 11" x 9-1/2"        |
| Water depth from rim   | 5-1/4"              |
| Seat post hole centers   | 5-1/2"              |
| * Designed to flush with 1.6 gallons of water when installed with a 1.6 gpf valve. |                     |
| Included Components:   |                     |
| Spud   | 18357               |
| Bolt caps (pr.)  | 52048               |
| Floor screws (pr.)   | 21402               |
| Flush valve requirements: Refer to manufacturer and local codes.                   |                     |



1.25>116

## PRODUCT DIAGRAM