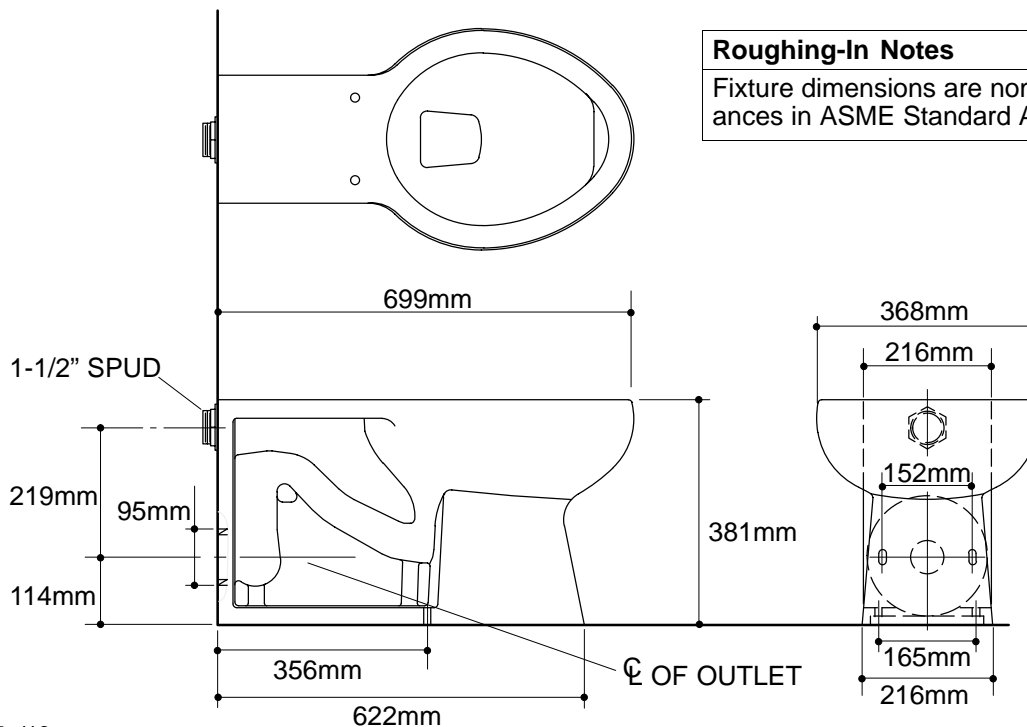


## Ordering Information

Accessories/hardware:		
Seat	K-4670-C	recommended
Seat (with anti-microbial agent)	K-4670-CA	recommended
Floor bolts (pr.)	21401	recommended

## Product Information

Fixture:	
Configuration	Rear spud, elongated
Litres per flush	6 litres*
Spud size	1-1/2"
Passageway	60mm
Water area	279 x 241mm
Water depth from rim	133mm
Seat post hole centers	140mm
* Designed to flush with 6 litres of water when installed with a 6 lpf valve.	
Included Components:	
Spud	18357
Bolt caps (pr.)	52048
Floor screws (pr.)	21402
Flush valve requirements: Refer to manufacturer and local codes.	



### Roughing-In Notes

Fixture dimensions are nominal and conform to tolerances in ASME Standard A112.19.2M.

1.25>116

**K-4396** Anglesey™ Toilet  
115752-1M-AA (A)

**KOHLER®**