

UNDERCOUNTER SINK

K-14578

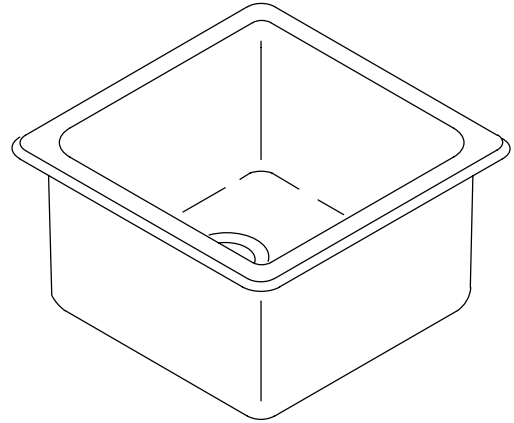
FEATURES

- 18-1/4" x 18-1/4"
- Fireclay
- Undercounter mount
- Single compartment

CODES/STANDARDS APPLICABLE

Specified model meets or exceeds the following:

- ASME/ANSI A112.19.9M
- IAPMO/UPC



COLORS/FINISHES

- 0 White
- Other Refer to Fixtures Price Book for additional colors

SPECIFIED MODEL:

Model	Description	Colors/Finishes	
K-14578-FR	Fruits Of Labor™ kitchen sink	<input type="checkbox"/> 0 White	<input type="checkbox"/> Other_____
K-14578-LC	Life In The Country™ kitchen sink	<input type="checkbox"/> 0 White	<input type="checkbox"/> Other_____

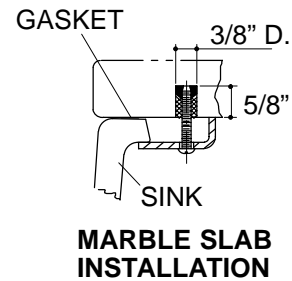
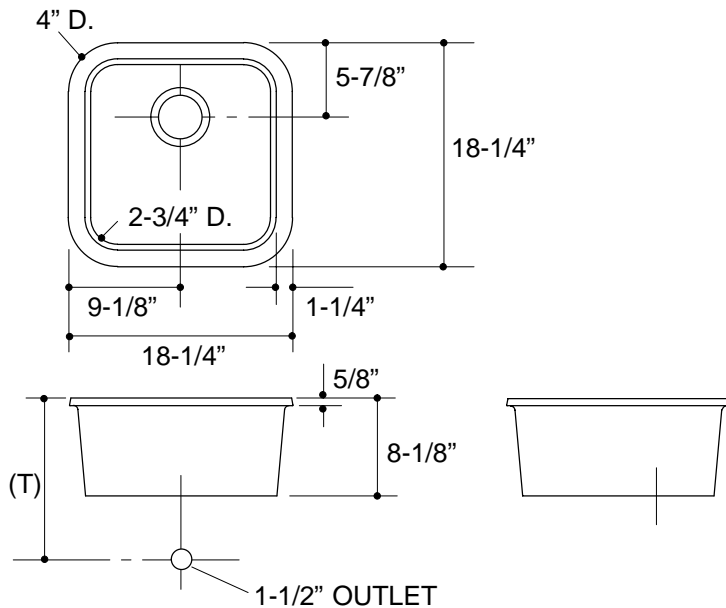
PRODUCT SPECIFICATION:

The undercounter mount sink shall be 18-1/4" in length, and 18-1/4" in width. Sink shall be made of fireclay. Sink shall be single compartment. Sink shall be Kohler Model K-14578-_____-_____.

PRODUCT INFORMATION

Fixture*:		basin area	water depth
Sink		16" x 16"	7-3/16"
Outlet	3-7/8" D.		

Included Components:	
Gasket	84724
Basin clamp accessory pack	52047
Bottom basin rack	84745
Cutout template	115756-7



Roughing-In Notes

Fixture dimensions are nominal and conform to tolerances in ASME/ANSI Standard A112.19.9M.

(T) Drain typically 13-1/2".

Supplied basin clamp assemblies require 1" minimum countertop thickness. Installer must supply hardware for thinner countertops.

For multiple bowl undercounter installations, a minimum distance of 3-1/4" is required between cut-outs. Countertop supplier to determine required support.

116

PRODUCT DIAGRAM