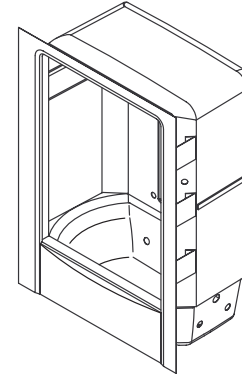


FEATURES

- 60" x 36" x 84"
- Acrylic
- Left or right outlet
- 6 Polished Chrome (-CP) or Polished Brass (-PB) BodyJets molded into the end wall
- UL Listed
- LESS ALL TRIM

K-1050, K-1051



CODES/STANDARDS APPLICABLE

Specified model meets or exceeds the following:

- ANSI Z124.2
- ASME/ANSI A112.19.7M
- IAPMO/UPC
- Underwriters Laboratories (UL)
- State of Massachusetts

COLORS/FINISHES

- 0 White
- Other Refer to Fixtures Price Book for additional colors

Accessories:

- CP Polished Chrome
- SV Nevada Silver™
- BR New England Brass™
- PB Polished Brass
- Other Refer to Price Book for additional finishes

SPECIFIED MODEL:

Model	Description	Colors/Finishes	
K-1050-CP	Module with outlet at right (Polished Chrome)	<input type="checkbox"/> 0 White	<input type="checkbox"/> Other_____
K-1050-PB	Module with outlet at right (Polished Brass)	<input type="checkbox"/> 0 White	<input type="checkbox"/> Other_____
K-1051-CP	Module with outlet at left (Polished Chrome)	<input type="checkbox"/> 0 White	<input type="checkbox"/> Other_____
K-1051-PB	Module with outlet at left (Polished Brass)	<input type="checkbox"/> 0 White	<input type="checkbox"/> Other_____

Required Accessories			
K-9846-L	Shower enclosure	<input type="checkbox"/> SV	<input type="checkbox"/> BR
Recommended Accessories			
K-7161-AF	Drain	<input type="checkbox"/> CP	<input type="checkbox"/> PB
K-1096	Coralais Two-handle OR	<input type="checkbox"/> CP	<input type="checkbox"/> PB
K-1097	Coralais Rite-Temp	<input type="checkbox"/> CP	<input type="checkbox"/> PB
Optional Accessories			
K-9529	Seat	<input type="checkbox"/> 0 White	

PRODUCT SPECIFICATION:

The module shall be 60" in length, 36" in width, and 84" in height. Module shall be made of acrylic. Module shall have left or right outlet. Module shall have 6 Polished Chrome (-CP) or Polished Brass (-PB) BodyJets molded into the end wall. Module shall have optional K-9529 removable seat. Module shall be Kohler Model K-_____-_____-_____.

BODYSPA

REQUIRED ELECTRICAL SERVICE

Dedicated circuit required, protected with Class A Ground-Fault Circuit-Interrupter (GFCI):	
Pump/control	120 V., 20 A, 60 Hz

PRODUCT INFORMATION

Fixture*:	basin area	top area	weight
Bathing well	45" x 21"	52" x 26"	275 lbs.
	water depth	capacity	
To overflow	11-1/2"	48-1/2 gal.**	

* Approximate measurements for comparison only.

**29 gallon minimum required for BodySpa operation; 44 gallon minimum required for whirlpool operation.

Pump:	HP	V	Hz	A
2-speed	1	120	60	16.5

INSTALLATION NOTES

Unit is not drilled for supply fittings.

Each pump is supplied with a grounding type plug-in cord. Locate the outlet behind the whirlpool, and within 24" of the pump.

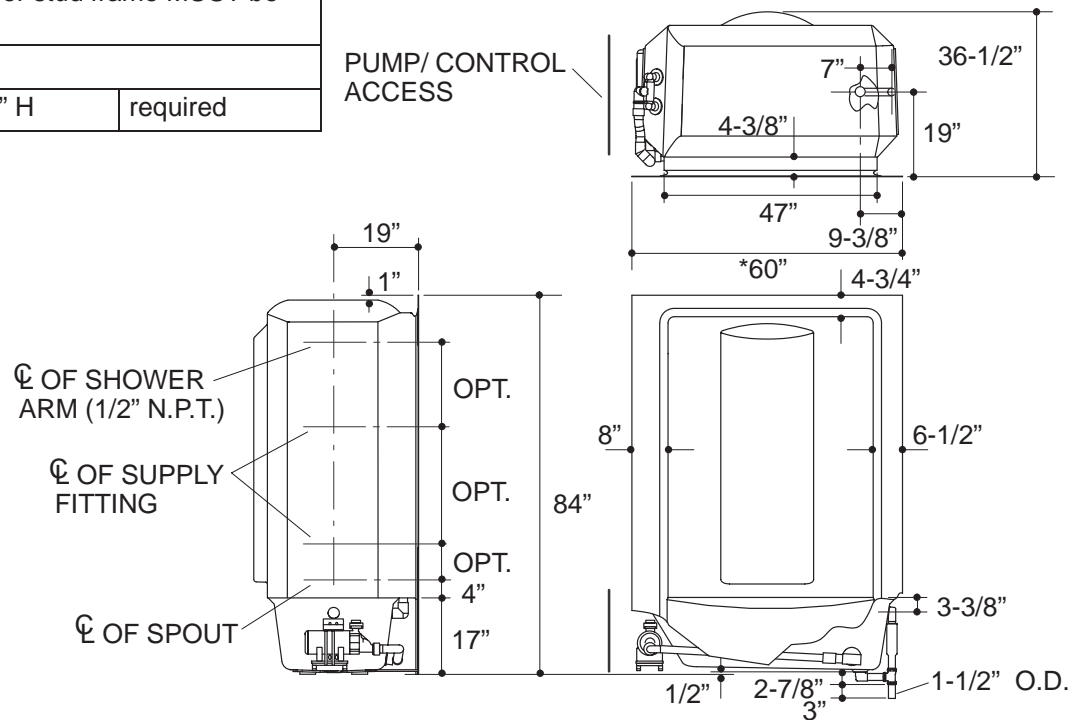
Roughing-In Notes

No change in measurements if connected with drain illustrated.

*Unit width is 60", roughing-in for stud frame MUST be 60-1/2".

Minimum access panel:

Pump/control	22" W x 22" H	required
--------------	---------------	----------



.75<132

PRODUCT DIAGRAM