

Ordering Information

Applicable product:		
Right outlet (Polished Chrome)	K-1050-CP	shown
Right outlet (Polished Brass)	K-1050-PB	shown
Left outlet (Polished Chrome)	K-1051-CP	not shown
Left outlet (Polished Brass)	K-1051-PB	not shown
Accessories/hardware:		
Drain	K-7161-AF	recommended
Shower enclosure	K-9846	required
Coralais BodySpa Rite-Temp faucet	K-1097	recommended
Coralais two-handle faucet	K-1096	
Removable seat	K-9529	required

Requirements Electrical Service

Dedicated circuit required, protected with Class A Ground-Fault Circuit-Interrupter (GFCI):	
Pump/control	120 V., 20 A, 60 Hz

Product Information

Fixture*:	basin area	top area	weight
Bathing well	1143 x 533mm	1321 x 660mm	125 Kg.
	water depth	capacity	
To overflow	292mm	184 litres**	
* Approximate measurements for comparison only.			
**110 litre minimum required for BodySpa operation; 167 litre minimum required for whirlpool operation.			

Pump:	HP	V	Hz	A
2-speed	1	120	60	16.5

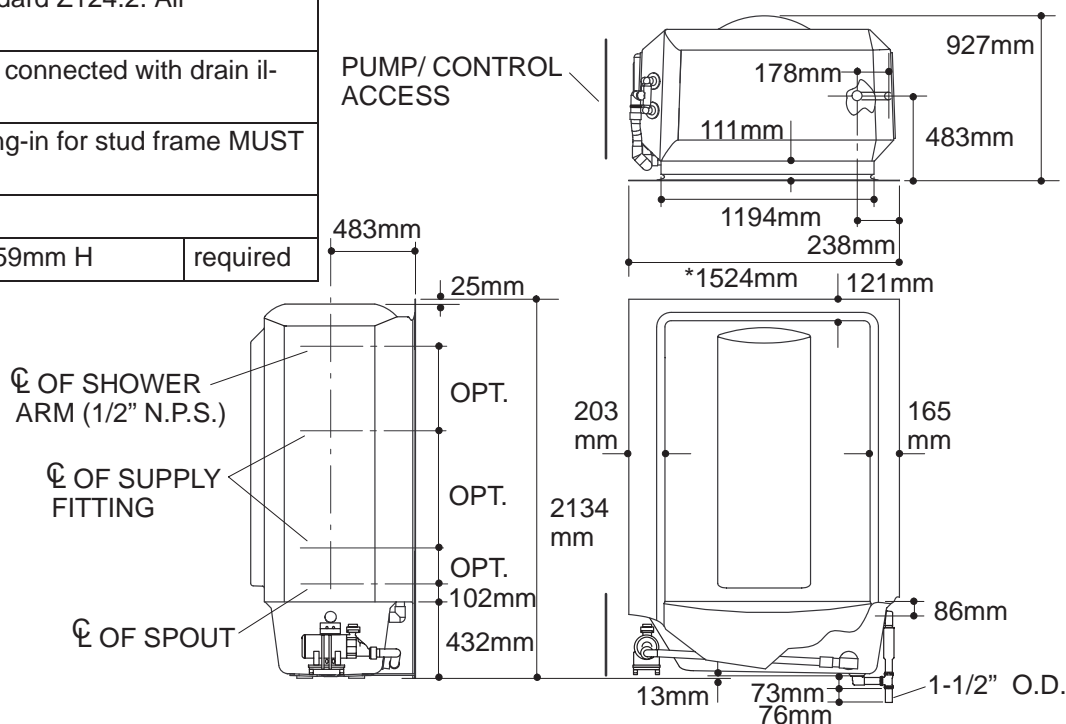
Installation Notes

Refer to installation instructions included with fixture before beginning installation.

Unit is not drilled for supply fittings.

Each pump is supplied with a grounding type plug-in cord. Locate the outlet behind the whirlpool, and within 610mm of the pump.

Roughing-In Notes		
Fixture conforms to ANSI Standard Z124.2. All dimensions are nominal.		
No change in measurements if connected with drain illustrated.		
*Unit width is 1524mm, roughing-in for stud frame MUST be 1537mm.		
Minimum access panel:		
Pump/control	559mm W x 559mm H	required



.75<132