

## Ordering Information

Accessories/hardware:		
Jet trim kit	K-9698	required
Drain	K-7161-AF	recommended

## Required Electrical Service

Dedicated circuit required, protected with Class A Ground-Fault Circuit-Interrupter (GFCI):	
Pump/control	120 V., 20 A., 60 Hz

## Product Information

Fixture*:	basin area	top area	weight
Bathing well	48" x 27"	60" x 30"	129 lbs.
	water depth	capacity	
To overflow	16"	94 gal.	

\* Approximate measurements for comparison only.

Pump:	high HP	low HP	V	Hz	A
2-speed	1	1/8	120	60	16.5

## Installation Notes

Refer to installation instructions included with fixture before beginning installation.

If installing a rim-mount faucet, make sure there is no interference with drain overflow and circulating system before drilling any holes. Consult local and national codes for minimum air gap requirements if installing a spout on the faucet deck.

Each pump is supplied with a grounding type plug-in cord. Locate the outlet behind the whirlpool, and within 24" of the pump.

This whirlpool is designed for drop-in installation only. It is not suited for use in a three wall alcove with an overhead shower.

## Roughing-In Notes

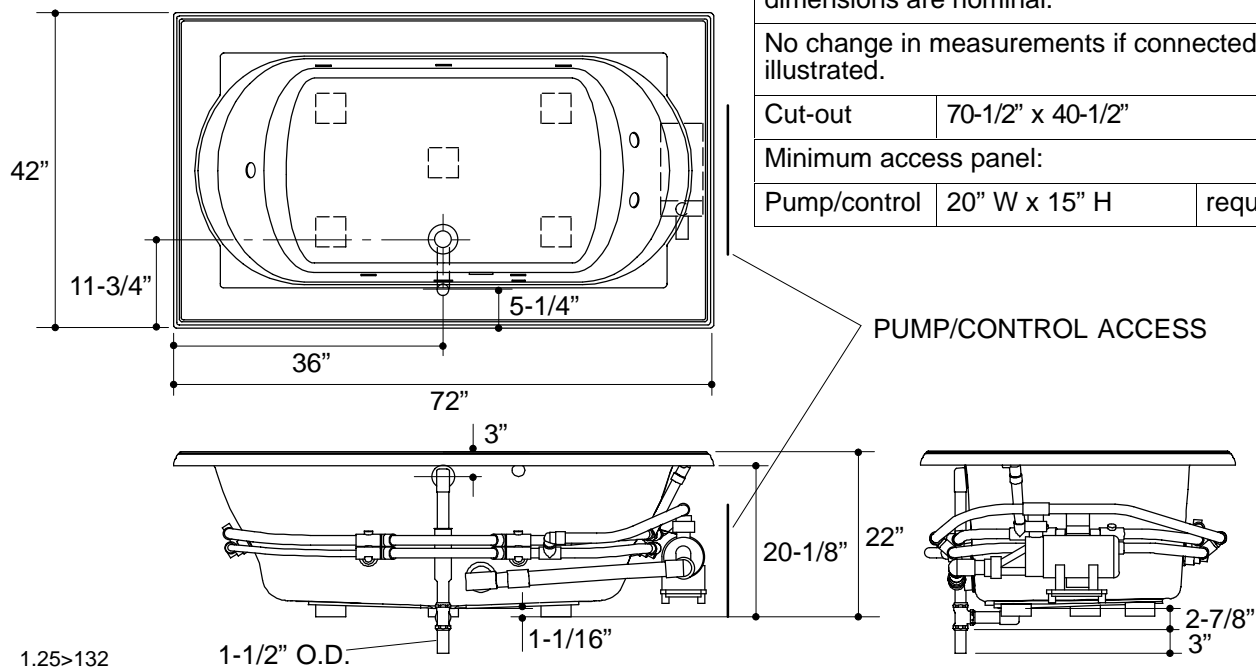
Fixture conforms to ANSI Standard Z124.1. All dimensions are nominal.

No change in measurements if connected with drain illustrated.

Cut-out	70-1/2" x 40-1/2"
---------	-------------------

Minimum access panel:
-----------------------

Pump/control	20" W x 15" H	required
--------------	---------------	----------



1.25>132