

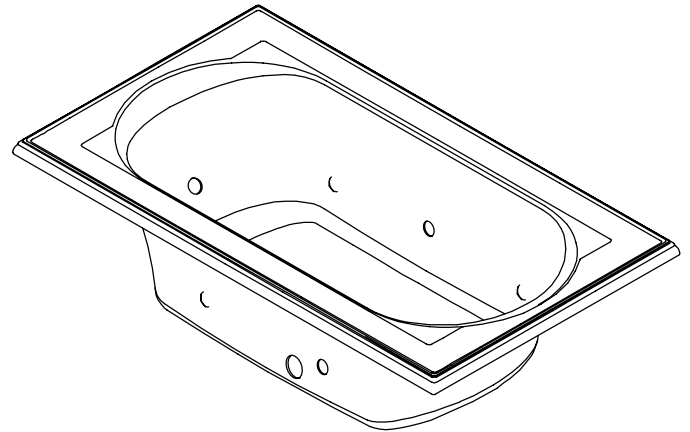
### FEATURES

- 72" x 42" x 22"
- Acrylic
- System II - 1 hp 2 speed pump with integral heater & electronic switch
- 8 factory-installed color-matched plastic Flexjets
- UL Listed
- LESS ALL TRIM
- Pump is supplied with a grounding-type plug in cord

### CODES/STANDARDS APPLICABLE

Specified model meets or exceeds the following:

- ANSI Z124.1
- ASME/ANSI A112.19.7M
- IAPMO/UPC
- Underwriters Laboratories (UL)
- State of Massachusetts



### COLORS/FINISHES

- 0 White
- Other Refer to Fixtures Price Book for additional colors

#### Accessories:

- CP Polished Chrome
- PB Polished Brass
- Other Refer to Faucets Price Book for additional finishes

### SPECIFIED MODEL:

Model	Description	Colors/Finishes		
		<input type="checkbox"/> 0 White	<input type="checkbox"/> Other_____	
K-1418-H	Bath whirlpool	<input type="checkbox"/> 0 White	<input type="checkbox"/> Other_____	
<b>Recommended Accessories</b>				
K-7161-AF	Drain	<input type="checkbox"/> CP	<input type="checkbox"/> PB	<input type="checkbox"/> Other_____
<b>Optional Accessories</b>				
K-9698	Flexjet trim kit	<input type="checkbox"/> CP	<input type="checkbox"/> PB	<input type="checkbox"/> Other_____

### PRODUCT SPECIFICATION:

The bath whirlpool shall be 72" in length, 42" in width, and 22" in height. Bath whirlpool shall be made of acrylic. Bath whirlpool shall have System II, with 8 Flexjets, 1 hp 2 speed pump with integral heater, and electronic switch. Bath whirlpool shall be UL listed. Bath whirlpool shall be less all trim. Bath whirlpool pump shall be supplied with a grounding-type plug-in cord. Bath whirlpool shall be Kohler Model K-1418-H-\_\_\_\_\_.

## REQUIRED ELECTRICAL SERVICE

Dedicated circuit required, protected with Class A Ground-Fault Circuit-Interrupter (GFCI):	
Pump/control	120 V., 20 A., 60 Hz

## PRODUCT INFORMATION

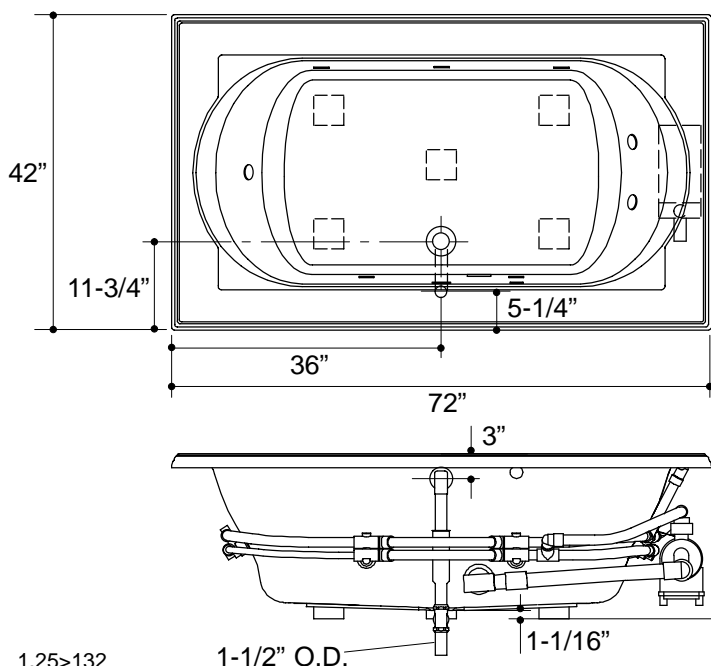
Fixture*:	basin area	top area	weight		
Bathing well	48" x 27"	60" x 30"	129 lbs.		
	water depth	capacity			
To overflow	16"	94 gal.			
* Approximate measurements for comparison only.					
Pump:	high HP	low HP	V	Hz	A
2-speed	1	1/8	120	60	16.5

## INSTALLATION NOTES

If installing a rim-mount faucet, make sure there is no interference with drain overflow and circulating system before drilling any holes. Consult local and national codes for minimum air gap requirements if installing a spout on the faucet deck.

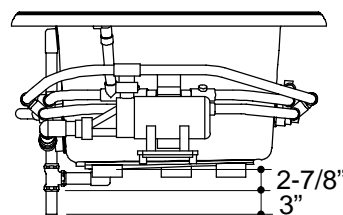
Each pump is supplied with a grounding type plug-in cord. Locate the outlet behind the whirlpool, and within 24" of the pump.

This whirlpool is designed for drop-in installation only. It is not suited for use in a three wall alcove with an overhead shower.



Roughing-In Notes		
No change in measurements if connected with drain illustrated.		
Cut-out	70-1/2" x 40-1/2"	
Minimum access panel:		
Pump/control	20" W x 15" H	required

PUMP/CONTROL ACCESS



1.25>132

## PRODUCT DIAGRAM