

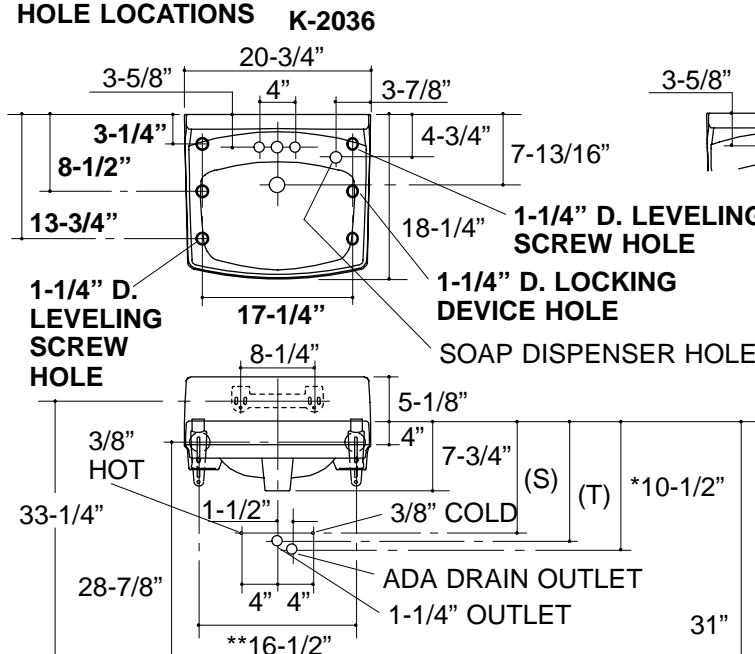
### Ordering Information

Applicable product:		
4" centers lavatory	K-2036	shown
8" centers lavatory	K-2034	not shown
Accessories/hardware:		
Brackets	K-1808-P	optional
Trap	K-8998	optional

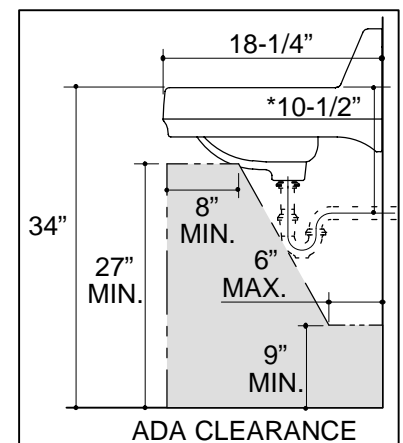
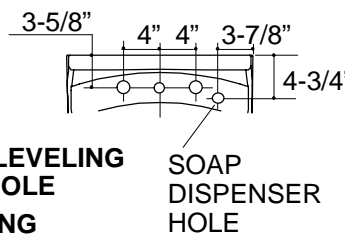
### Product Information

<b>ADA compliant.</b>			
Fixture*:		basin area	water depth
Lavatory		15" x 10"	3-1/4"
Outlet	1-3/4" D.		
*Approximate measurements for comparison only.			
Holes	<b>K-2036</b>	<b>K-2034</b>	
Spout	1-3/16" D.	1-3/16" D.	
Faucet	1-3/16" D.	1-7/16" D.	
Soap dispenser	1-1/4" D.	1-1/4" D.	
Included Components:			
Hanger		64839	
Supplied hanger not used with concealed arm carrier.			

### CONCEALED ARM HOLE LOCATIONS



### K-2034



### Roughing-In Notes

Fixture dimensions are nominal and conform to tolerances in ASME Standard A112.19.2M.

\*Based on K-8998, with 1" of tailpiece exposed.

\*\*Dimensions from centerline to centerline of brackets.

(T) Pop-up drain 13-3/8", grid drain 12-1/2".

(S) 14" (Based on 12" riser which may require cutting).

.75<116

**K-2034, K-2036** Greenwich<sup>™</sup> Lavatory  
115761-1-AA (B)

# KOHLER<sup>®</sup>