

Ordering Information

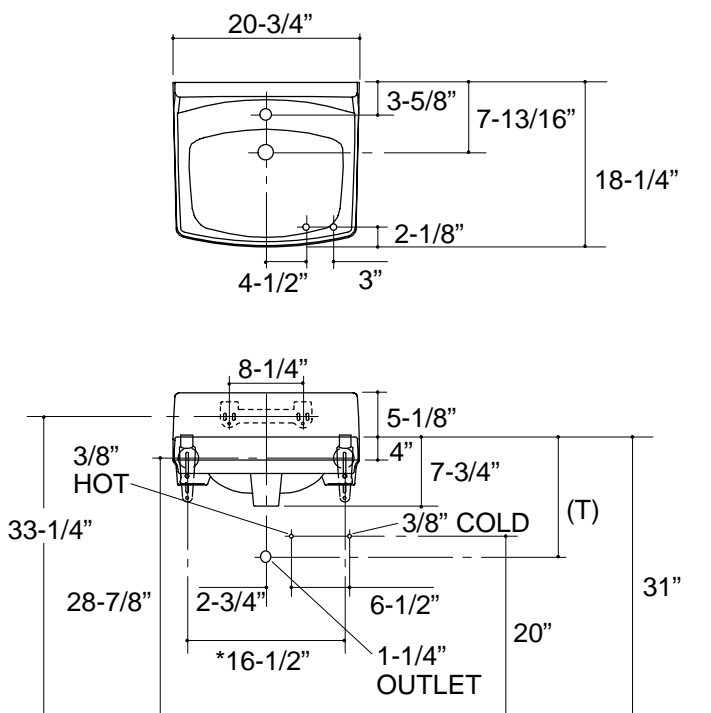
Applicable product:		
Single-hole lavatory	K-12643	shown
Accessories/hardware:		
Brackets	K-1808-P	optional
Trap	K-8998	recommended*
Gooseneck Spout	K-13760	recommended*
Lavatory supply	K-13707	recommended*
Knee control fitting	K-13715	recommended*
*Dimensions illustrated.		

Product Information

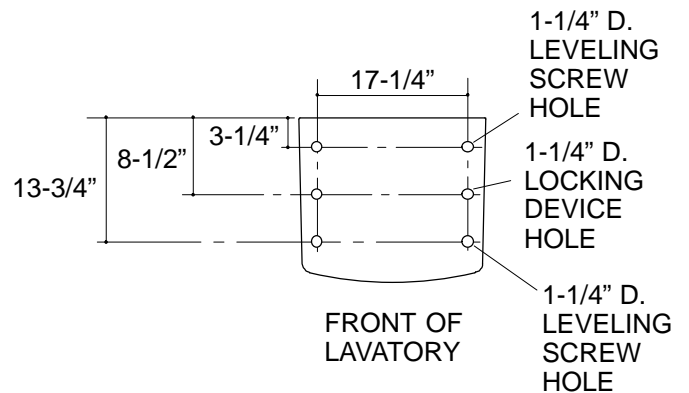
Fixture*:		basin area	water depth
Lavatory		15" x 10"	3-1/4"
Outlet	1-3/4" D.		
*Approximate measurements for comparison only.			

Holes	K-12643		
Spout	1-3/8" D.		

Included Components:	
Hanger	64839
Supplied hanger not used with concealed arm carrier.	



CONCEALED ARM HOLE LOCATIONS



Roughing-In Notes

Fixture dimensions are nominal and conform to tolerances in ASME Standard A112.19.2M.

*Dimensions from centerline to centerline of brackets.

(T) Grid drain 12-1/2".

(S) 14" (Based on 12" riser which may require cutting).

.75<116