

Ordering Information

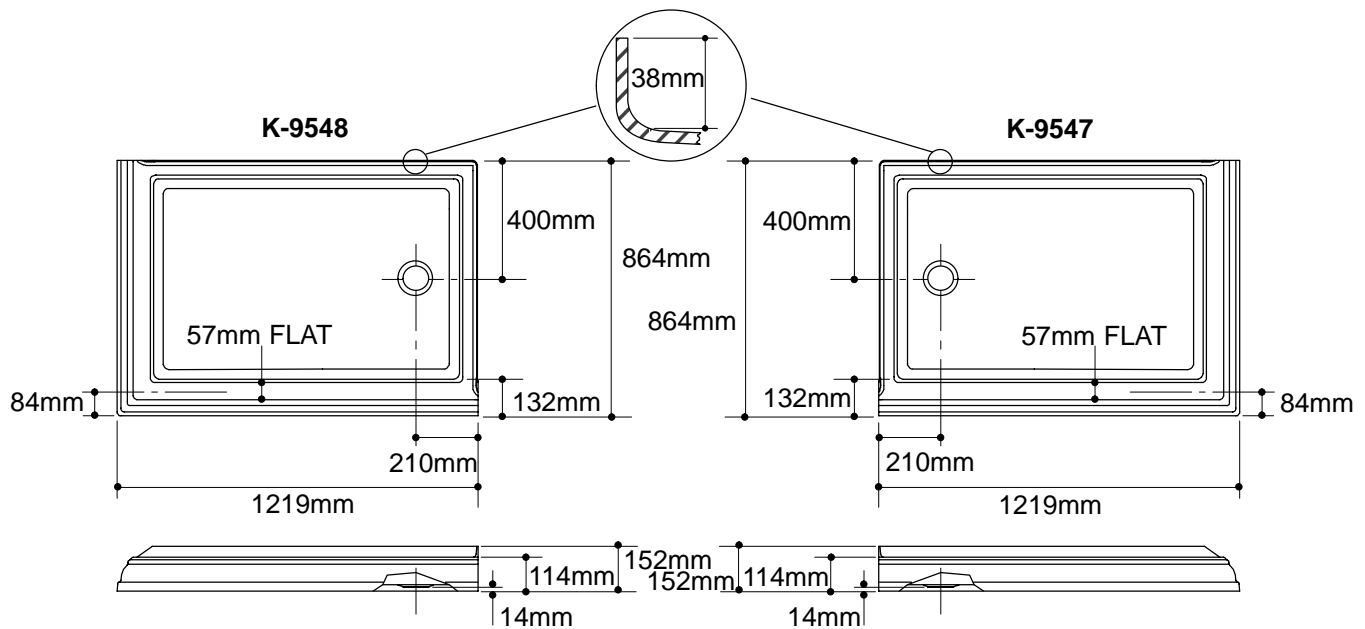
Applicable receptor:		
1219 x 864mm with outlet on left	K-9547	shown
1219 x 864mm with outlet on right	K-9548	shown
Accessories/hardware:		
Drain	K-9132	recommended
Focal Corner Entry Shower Enclosure	K-701566	recommended

Product Information

Fixture:	
Weight	16 Kg.
Configuration	1-piece
Drain Outlet	Ø86mm

Installation Notes

Refer to installation instructions included with fixture before beginning installation.



Roughing-In Notes

Fixture conforms to ANSI Standard Z124.2. All dimensions are nominal.

1.25>132

K-9547, K-9548 Memoirs® Shower Receptors
115768-1M-AA (A)

KOHLER®