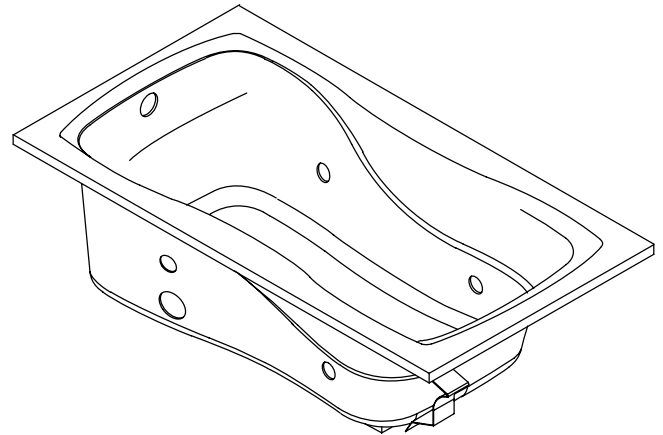


FEATURES

- 60" x 32" x 20"
- Acrylic
- 4 Flexjets
- System II - 1 hp 2 speed pump with integral heater & electronic switch
- UL Listed
- LESS ALL TRIM
- Optional K-1278 front apron
- Pump is supplied with a grounding-type plug in cord



CODES/STANDARDS APPLICABLE

Specified model meets or exceeds the following:

- ANSI Z124.1
- ASME/ANSI A112.19.7M
- IAPMO/UPC
- Underwriters Laboratories (UL)
- State of Massachusetts

COLORS/FINISHES

- 0 White
- Other Refer to Fixtures Price Book for additional colors

Accessories:

- CP Polished Chrome
- PB Polished Brass
- Other Refer to Price Book for additional finishes
- NA None Applicable

SPECIFIED MODEL:

Model	Description	Colors/Finishes		
K-1404-H	Bath whirlpool	<input type="checkbox"/> 0 White	<input type="checkbox"/> Other_____	
Required Accessories				
K-9694	Jet trim kit	<input type="checkbox"/> CP	<input type="checkbox"/> PB	<input type="checkbox"/> Other_____
Recommended Accessories				
K-7161-AF	Drain	<input type="checkbox"/> CP	<input type="checkbox"/> PB	<input type="checkbox"/> Other_____
Optional Accessories				
K-1278	Apron (removable)	<input type="checkbox"/> 0 White	<input type="checkbox"/> Other_____	

PRODUCT SPECIFICATION:

The bath whirlpool shall be 60" in length, 32" in width, and 20" in height. Bath whirlpool shall be made of acrylic. Bath whirlpool shall have System II, with 4 Flexjets, 1 hp 2-speed pump with integral heater, and electronic switch. Bath whirlpool shall be UL listed. Bath whirlpool shall be less all trim. Bath whirlpool shall have optional K-1278 front apron. Bath whirlpool pump shall be supplied with a grounding-type plug-in cord. Bath whirlpool shall be Kohler Model K-1404-H-_____.

HOURGLASS 32™

REQUIRED ELECTRICAL SERVICE

Dedicated circuit required, protected with Class A Ground-Fault Circuit-Interrupter (GFCI):

Pump/control	120V., 20A., 60 Hz
--------------	--------------------

PRODUCT INFORMATION

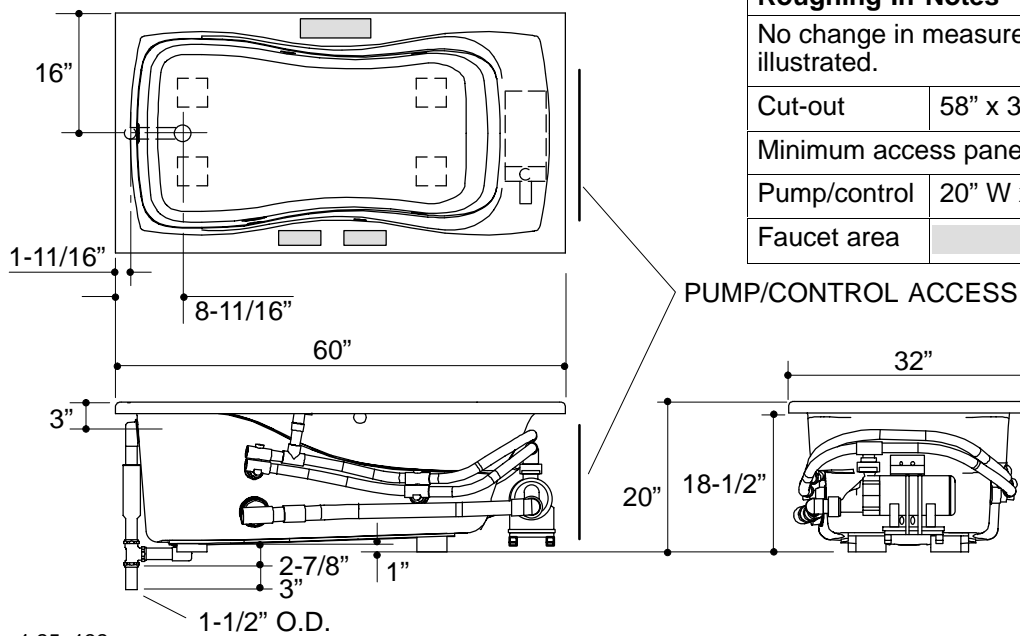
Fixture*:	basin area	top area	weight
Bathing well	47" x 20"	53 x 23"	100 lbs.
	water depth	capacity	
To overflow	14-1/2"	64 gal.	

* Approximate measurements for comparison only.

Pump	high HP	low HP	V	Hz	A
2-speed	1	1/8	120	60	16.5

INSTALLATION NOTES

Each pump is supplied with a grounding type plug-in cord. Locate the outlet behind the whirlpool, and within 24" of the pump.



Roughing-In Notes		
No change in measurements if connected with drain illustrated.		
Cut-out	58" x 30"	
Minimum access panel (if apron is not used):		
Pump/control	20" W x 15" H	required
Faucet area		recommended

PRODUCT DIAGRAM