

Ordering Information

Accessories/hardware:		
Jet trim kit	K-9694	required
Drain	K-7161-AF	recommended
Apron	K-1278	optional

Required Electrical Service

Dedicated circuit required, protected with Class A Ground-Fault Circuit-Interrupter (GFCI):	
Pump/control	120V., 20A., 60 Hz

Product Information

Fixture*:	basin area	top area	weight
Bathing well	1194 x 508mm	1346 x 584mm	45 Kg.
	water depth	capacity	
To overflow	368mm	242 litres	

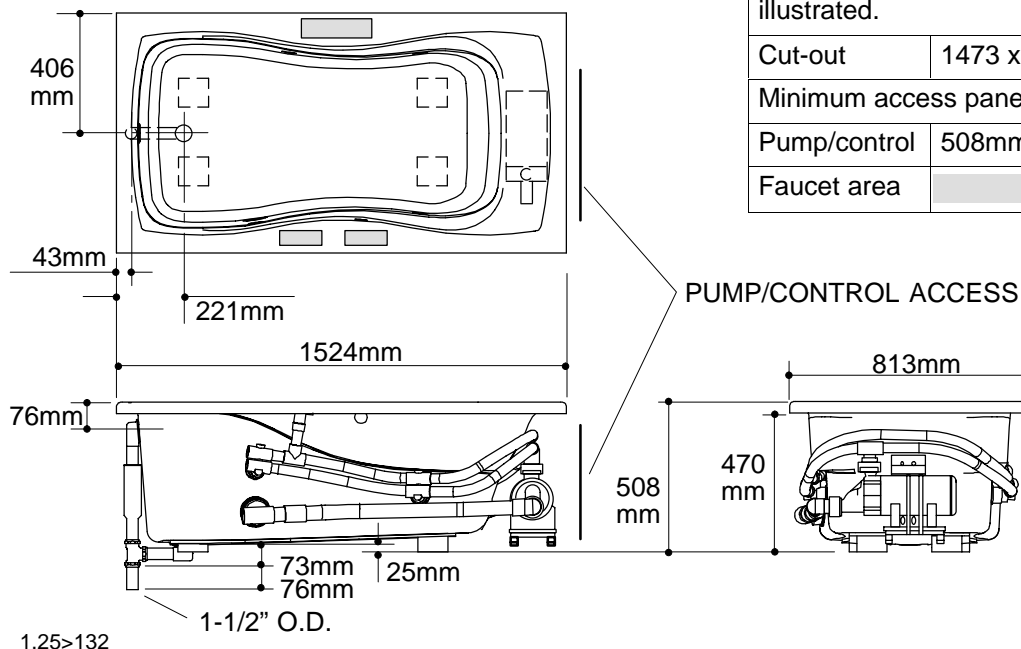
* Approximate measurements for comparison only.

Pump	high HP	low HP	V	Hz	A
2-speed	1	1/8	120	60	16.5

Installation Notes

Refer to installation instructions included with fixture before beginning installation.

Each pump is supplied with a grounding type plug-in cord. Locate the outlet behind the whirlpool, and within 610mm of the pump.



Roughing-In Notes

Fixture conforms to ANSI Standard Z124.1. All dimensions are nominal.

No change in measurements if connected with drain illustrated.

Cut-out 1473 x 762mm

Minimum access panel (if apron is not used):

Pump/control	508mm W x 381mm H	required
Faucet area		recommended

1.25>132

K-1404-H Hourglass® 32™ Bath Whirlpool
115770-1M-AA (-)

KOHLER®