

Ordering Information

Applicable product:		
Left outlet, integral flange	K-1209-L	shown
Right outlet, integral flange	K-1209-R	not shown
Drop-in rim style	K-1209	not shown
Accessories/hardware:		
Jet trim kit	K-9694	included
Drain	K-7161-AF	recommended
Apron	K-1278	optional

Required Electrical Service

Dedicated circuit required, protected with Class A Ground-Fault Circuit-Interrupter (GFCI):	
Pump/control	120V., 15A., 60 Hz

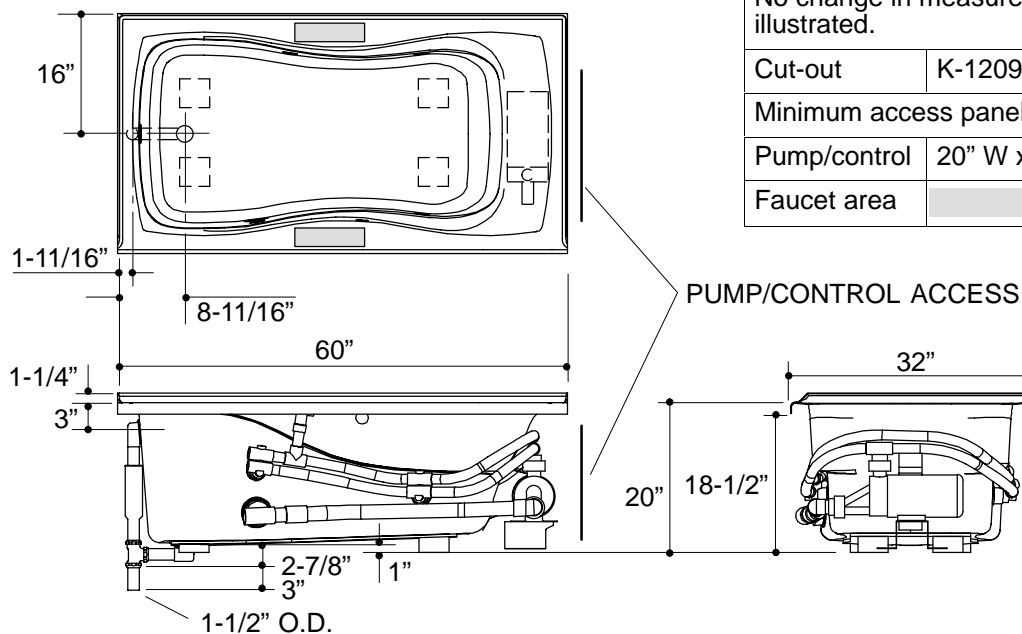
Product Information

Fixture*:	basin area	top area	weight	
Bathing well	47" x 20"	53" x 23"	100 lbs.	
	water depth	capacity		
To overflow	14-1/2"	64 gal.		
* Approximate measurements for comparison only.				
Pump:	HP	V	Hz	A
1-speed	3/4	120	60	10.5

Installation Notes

Refer to installation instructions included with fixture before beginning installation.

Each pump is supplied with a grounding type plug-in cord. Locate the outlet behind the whirlpool, and within 24" of the pump.



1.25>132

Roughing-In Notes	
Fixture conforms to ANSI Standard Z124.1. All dimensions are nominal.	
No change in measurements if connected with drain illustrated.	
Cut-out	K-1209 drop-in style, 58" x 30"
Minimum access panel (if apron is not used):	
Pump/control	20" W x 15" H required
Faucet area	recommended