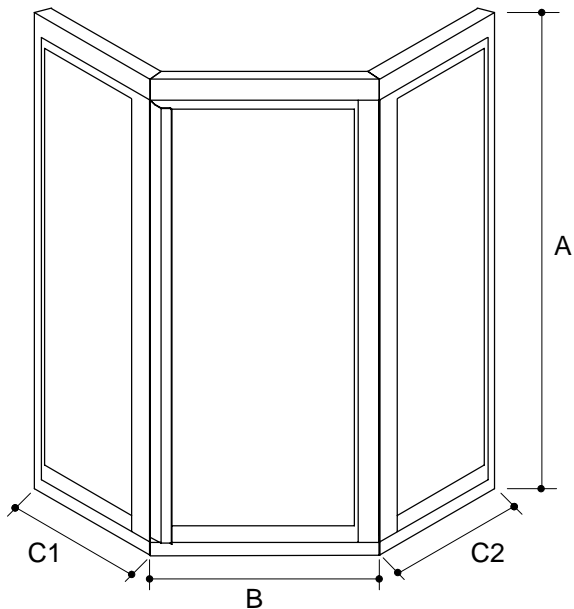
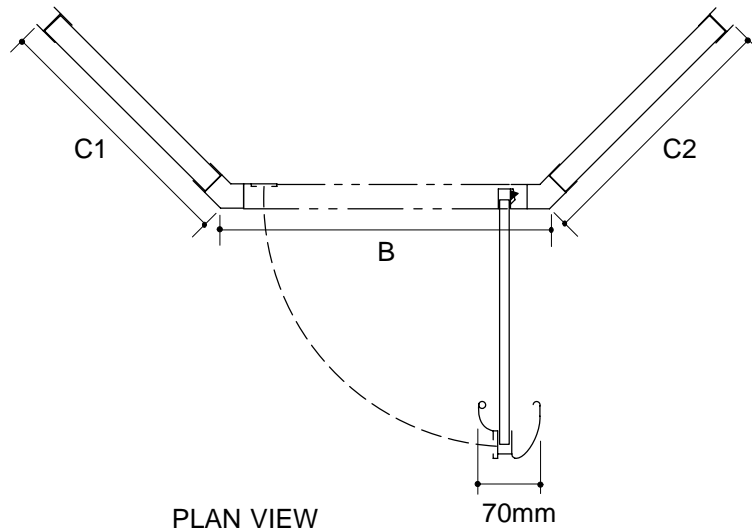


Ordering Information

Applicable product:
Reference models and measurements below.

Installation Notes

Refer to installation instructions included with fixture before beginning installation.



| Roughing-In Notes | A | B | C1 | C2 |
|--|-------------|---------------------|----|----|
| K-711300 Custom | 1270-1829mm | B+C1+C2=Max. 1829mm | | |
| Note: Dimensions are taken on centerline of curb/threshold at the rough opening. | | | | |
| Note: B dimension shall be 572mm or greater. | | | | |