

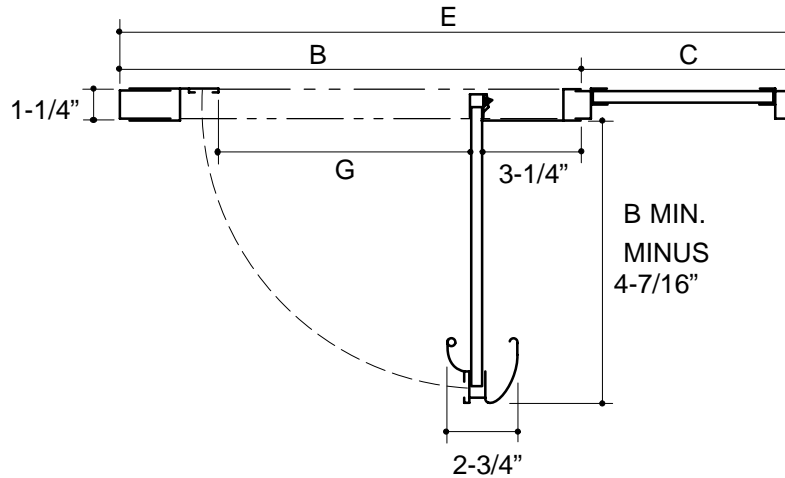
### Ordering Information

Applicable product:

Reference models and measurements below.

### Installation Notes

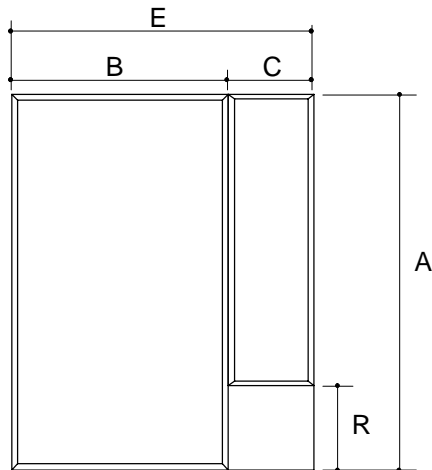
Refer to installation instructions included with fixture before beginning installation.



NOTE: PANEL MAY BE ATTACHED TO EITHER SIDE.

PLAN VIEW

Roughing-In Notes					
	A	B	C	E	G
K-731200 Custom	60" - 72"	28" - 36"	8" - 36"	36" - 72"	22" - 28"
R-Specified when ordered - MAX. 52".					



FRONT VIEW