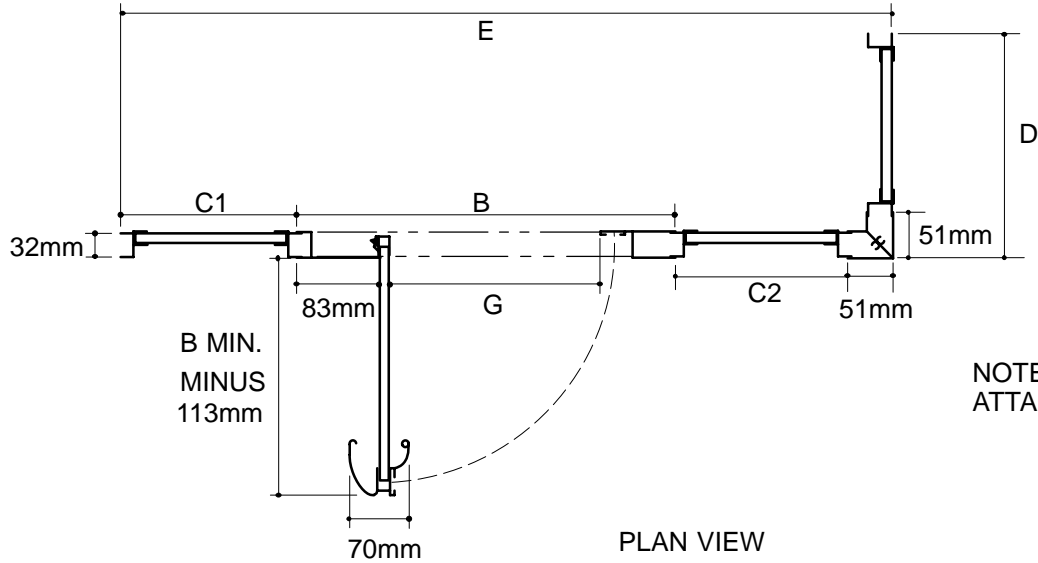


Ordering Information

Applicable product:
Reference models and measurements below.

Installation Notes

Refer to installation instructions included with fixture before beginning installation.



NOTE: RETURN PANEL MAY BE ATTACHED ON EITHER SIDE.

Roughing-In Notes	A	B	C1	C2	D	E	G (MAX.)
K-741400	1270-1829mm	660-914mm	203-457mm	203-457mm	254-1270mm	1118-1829mm	457-711mm
Custom							

