

Ordering Information

Applicable product:		
Console table legs	K-6880	shown
Single-hole lavatory	K-2269-1	shown*
8" centers lavatory	K-2269-8	not shown*
*Required for configuration illustrated.		
Accessories/hardware		
Supplies, 3/8" pair	K-7605-P	recommended
Trap	K-8998	recommended

Product Information

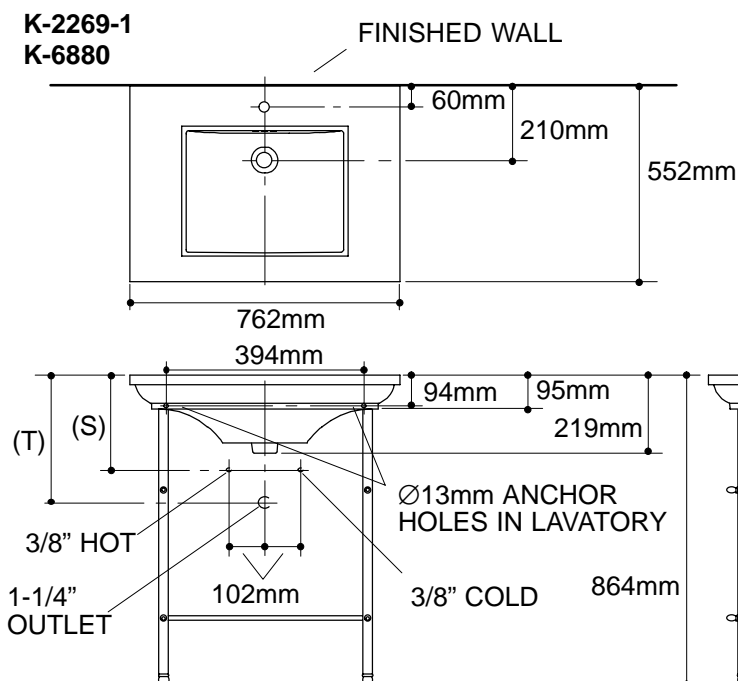
Fixture*:		basin area	water depth
Lavatory		457 x 356mm	127mm
Outlet	Ø44mm		
* Approximate measurements for comparison only.			

Holes	K-2269-1	K-2269-8	
Spout	Ø35mm	Ø30mm	
Faucet		Ø37mm	

Included Components:	
Lavatory accessory pack	52204
Hanger bracket	64839
Wire rack	84739

Installation Notes

Refer to installation instructions included with fixture before beginning installation.



Roughing-In Notes

Fixture dimensions are nominal and conform to tolerances in ASME/ANSI Standard A112.19.9M.

(T) Pop-up drain 362mm, grid drain 340mm.

Supply (Based on 305mm riser which may require cutting).

	K-2269-1	K-2269-8
(S)	254mm	356mm

.75<116

K-6880 Memoirs™ Lavatory Basin with Console Table Legs
115821-1M-AA (-)

KOHLER®