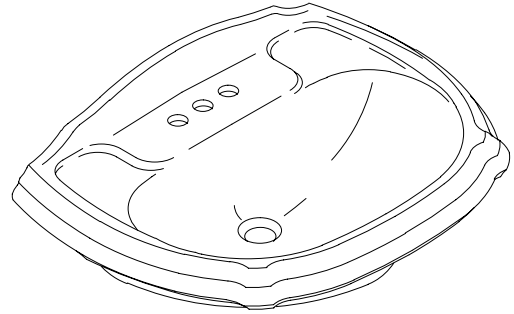


#### FEATURES

- 19-3/4" x 15-1/8"
- Vitreous china
- Wall-mount
- 4" centers



#### CODES/STANDARDS APPLICABLE

Specified model meets or exceeds the following:

- ASME/ANSI A112.19.2M
- IAPMO/UPC
- State of Massachusetts

#### COLORS/FINISHES

- 0 White
- Other Refer to Fixtures Price Book for additional colors

#### Accessories:

- CP Polished Chrome
- Other Refer to Faucets Price Book for additional finishes

#### SPECIFIED MODEL:

Model	Description	Colors/Finishes	
K-2272-4	4" centers lavatory	<input type="checkbox"/> 0 White	<input type="checkbox"/> Other_____
<b>Recommended Accessories</b>			
K-7605-P	Lavatory supplies 3/8" (pair)	<input type="checkbox"/> CP	<input type="checkbox"/> Other_____
K-8998	Trap	<input type="checkbox"/> CP	<input type="checkbox"/> Other_____

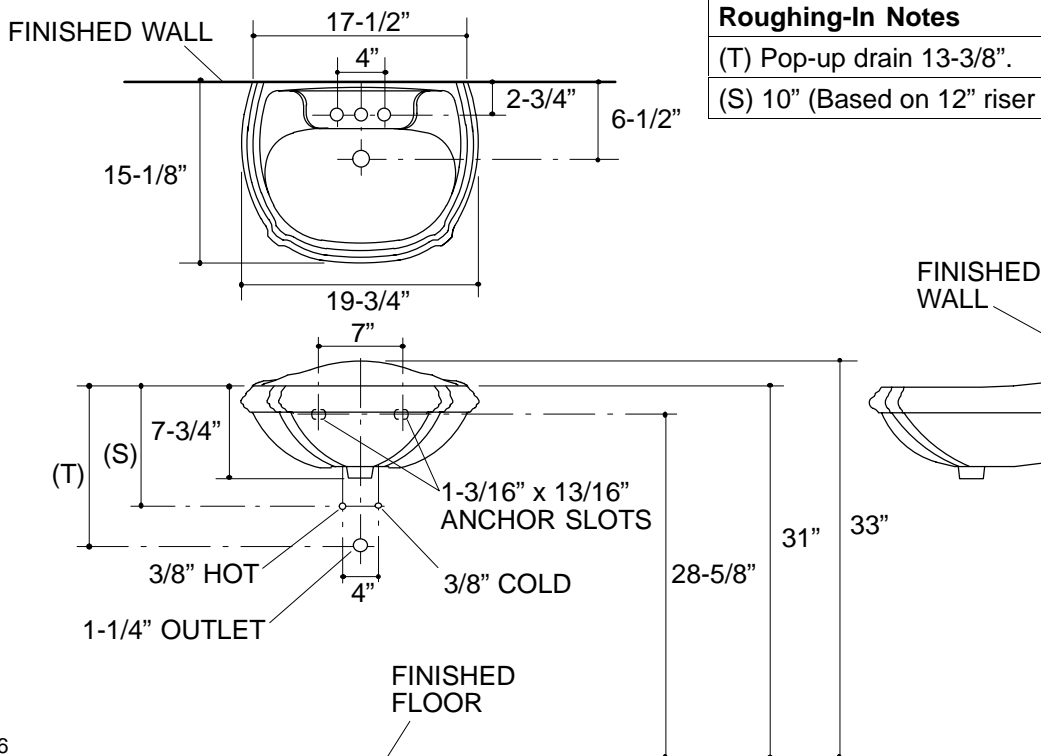
#### PRODUCT SPECIFICATION:

The wall-mount lavatory shall be 19-3/4 in length and 15-1/8" in width. Lavatory shall be made of vitreous china. Lavatory shall have 4" centers. Lavatory shall be Kohler Model K-\_\_\_\_\_ - \_\_\_\_\_ - \_\_\_\_\_.

# PORTRAIT™

## PRODUCT INFORMATION

Fixture*:		basin area	water depth
Lavatory		16" x 9"	5-1/2"
Outlet	1-3/4" D.		
* Approximate measurements for comparison only.			
Holes	<b>K-2272-4</b>		
Spout	1-3/16" D.		
Faucet	1-3/16" D.		
Included Components:			
Accessory pack		81603	



<b>ROUGHING-IN NOTES</b>
(T) Pop-up drain 13-3/8".
(S) 10" (Based on 12" riser which may require cutting).

116

## PRODUCT DIAGRAM