

Ordering Information

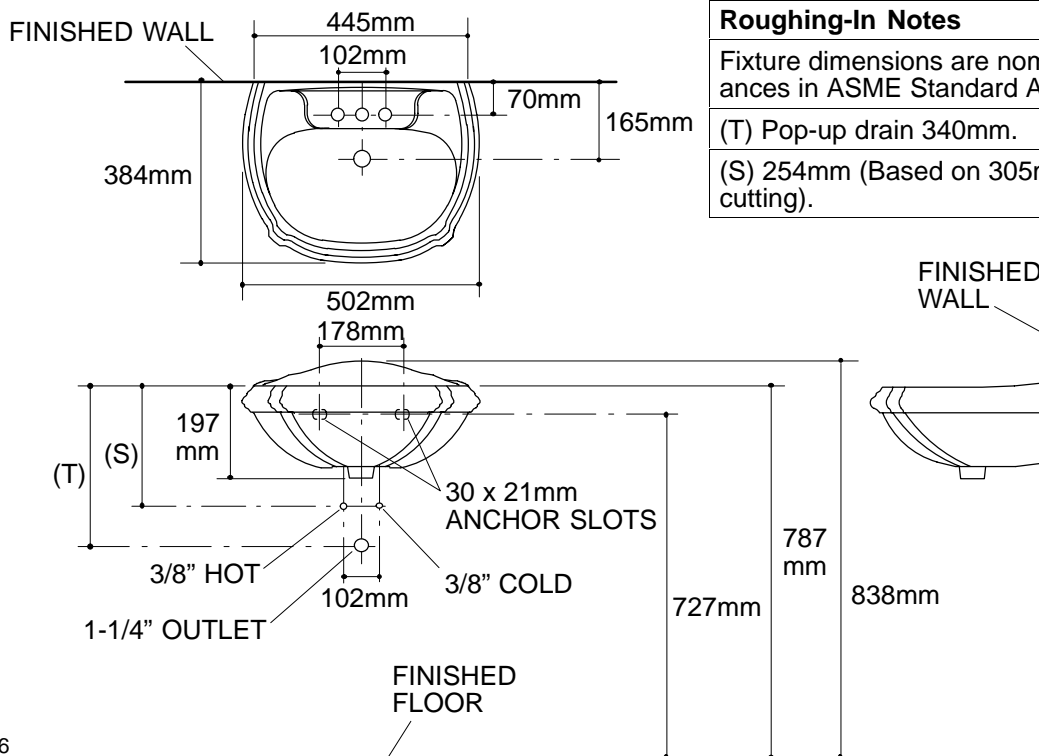
Accessories/hardware:		
Lavatory supplies, 3/8" pr.	K-7605-P	recommended
Trap	K-8998	recommended

Product Information

Fixture*:		basin area	water depth
Lavatory		406 x 229mm	140mm
Outlet	Ø44mm		
* Approximate measurements for comparison only.			

Holes	K-2272-4		
Spout	Ø30mm		
Faucet	Ø30mm		

Included Components:	
Accessory pack	81603



Roughing-In Notes
Fixture dimensions are nominal and conform to tolerances in ASME Standard A112.19.2M.
(T) Pop-up drain 340mm.
(S) 254mm (Based on 305mm riser which may require cutting).

116