

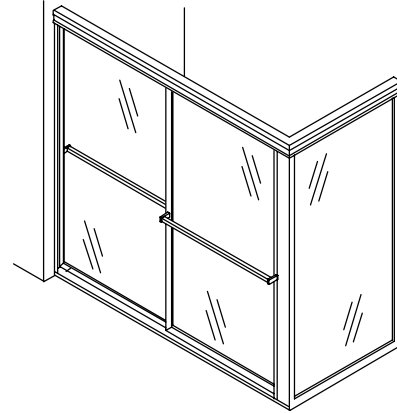
FEATURES

- Custom and standard sizes
- Heavy duty aluminum anodized frame
- PB/CP towel bar supports for BH/SH frame
- Adjustable hanger brackets
- Three soft bottom guides
- Removable door bumper

CODES/STANDARDS

Specified model meets or exceeds the following:

- ANSI Z97.1 (tempered glass)



GLASS OPTIONS

- B Obscure
- L Clear

COLORS/FINISHES

- 0 White
- SH Bright Silver Finish
- BH Bright Brass Finish

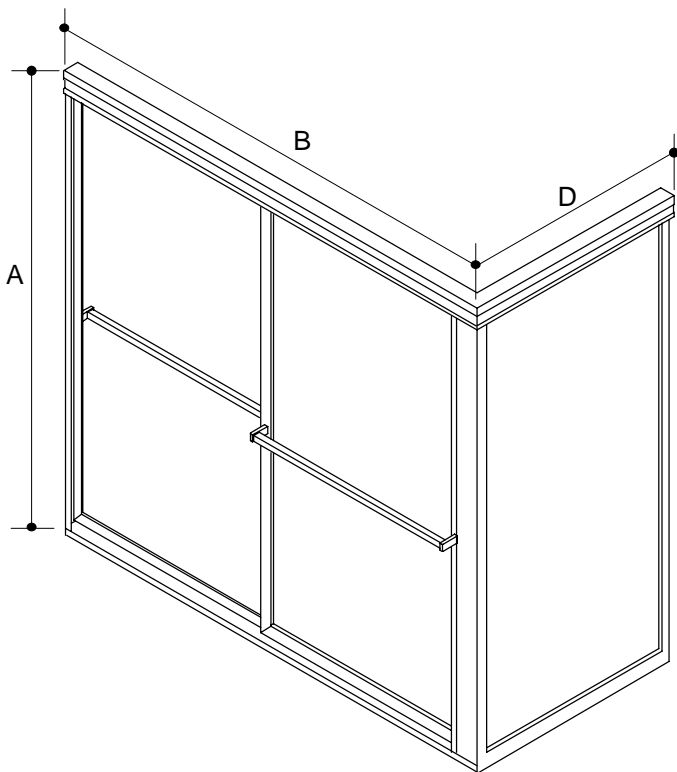
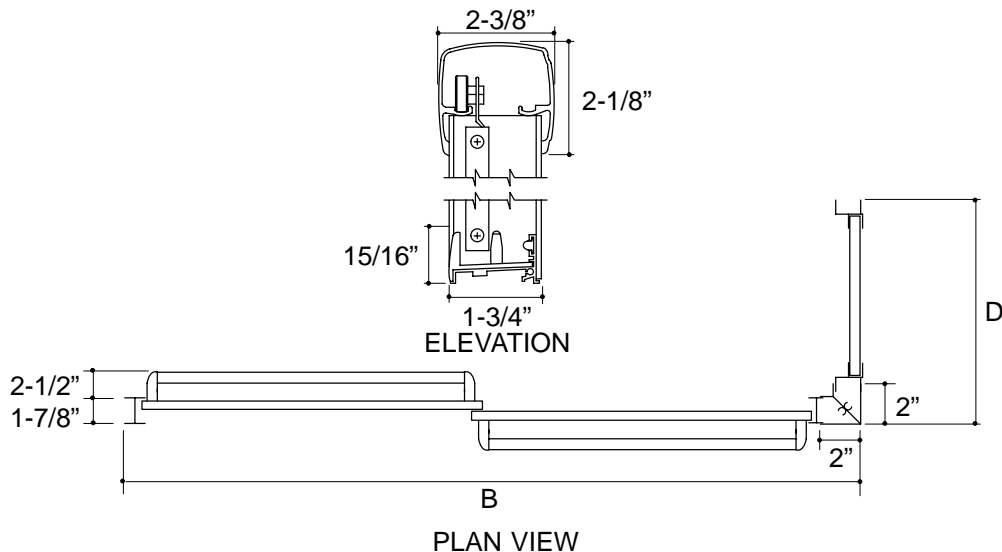
SPECIFIED MODEL:

Model	Application	Glass Options		Frame Finishes/Colors		
		B	L	SH	BH	0
K-751100 Custom	Shower	<input type="checkbox"/>	<input type="checkbox"/>	<input type="checkbox"/>	<input type="checkbox"/>	<input type="checkbox"/>

PRODUCT SPECIFICATION:

Focal bypass with return panel shower door shall have custom and standard sizes, with heavy duty aluminum anodized frame. Door shall feature polished brass/chrome plated towel bar supports for BH/SH frame. Door shall include adjustable hanger brackets, three soft bottom guides, and removable door bumper. Shower door shall be Kohler Model K-751100 Custom_____.

FOCAL



Roughing-In Notes			
	A	B	D
K-751100	50-72"	41-62"	10-50"
Custom			

PRODUCT DIAGRAM

K-751100 Focal Bypass Shower Doors

Page 2 of 2
115868-4-CA (-)

THE BOLD LOOK
OF **KOHLER**®