

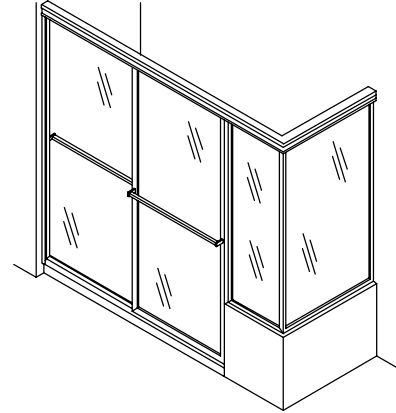
### FEATURES

- Custom and standard sizes
- Heavy duty aluminum anodized frame
- PB/CP towel bar supports for BH/SH frame
- Adjustable hanger brackets
- Three soft bottom guides
- Removable door bumper

### CODES/STANDARDS

Specified model meets or exceeds the following:

- ANSI Z97.1 (tempered glass)



### GLASS OPTIONS

- B Obscure
- L Clear

### COLORS/FINISHES

- 0 White
- SH Bright Silver Finish
- BH Bright Brass Finish

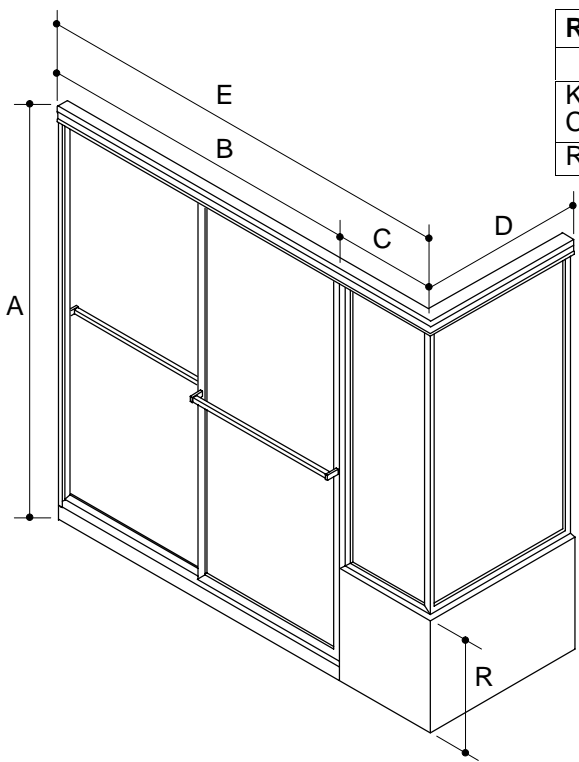
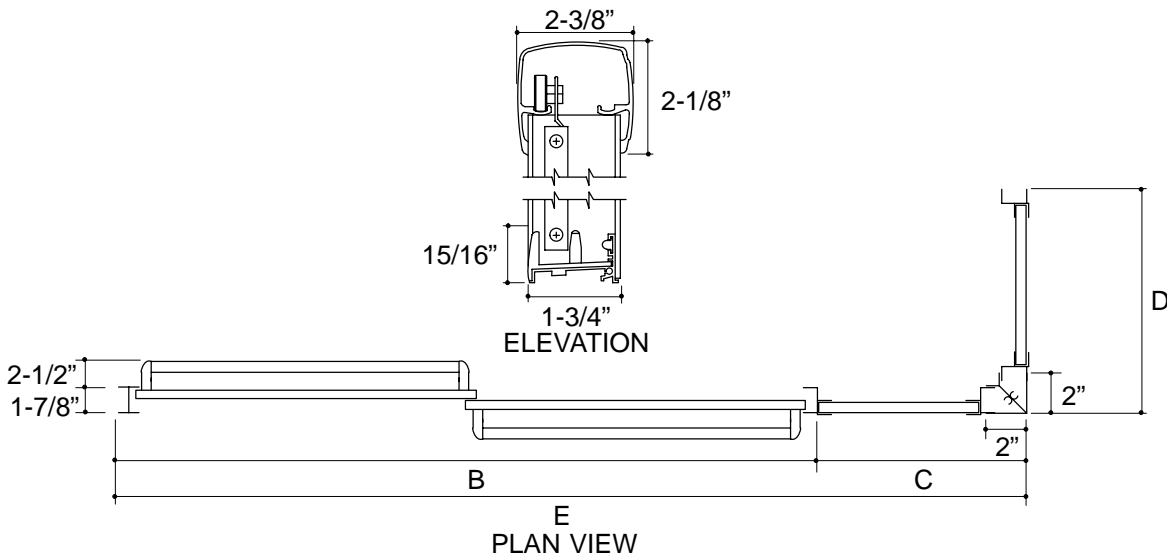
### SPECIFIED MODEL:

Model	Application	Glass Options		Frame Finishes/Colors		
		B	L	SH	BH	0
K-781100 Custom	Shower	<input type="checkbox"/>	<input type="checkbox"/>	<input type="checkbox"/>	<input type="checkbox"/>	<input type="checkbox"/>

### PRODUCT SPECIFICATION:

Focal bypass with inline and return panels on knee wall shower door shall have custom and standard sizes, with heavy duty aluminum anodized frame. Door shall feature polished brass/chrome plated towel bar supports for BH/SH frame. Door shall include adjustable hanger brackets, three soft bottom guides, and removable door bumper. Shower door shall be Kohler Model K-781100 Custom-\_\_\_\_\_.

# FOCAL



Roughing-In Notes					
	A	B	C	D	E
K-781100	60-72"	39-60"	10-36"	10-50"	49-96"
Custom					
R-Specified when ordered-Max. 52"					

## PRODUCT DIAGRAM

**K-781100** Focal Bypass Shower Doors

Page 2 of 2  
115874-4-CA (-)

