

Ordering Information

Applicable product:		
Spun Glass Vessels	K-2276	shown
Accessories/hardware:		
Vessels wall-mount bracket	K-9655	optional
Drain	K-7702-BA	required
Trap	K-9018	recommended

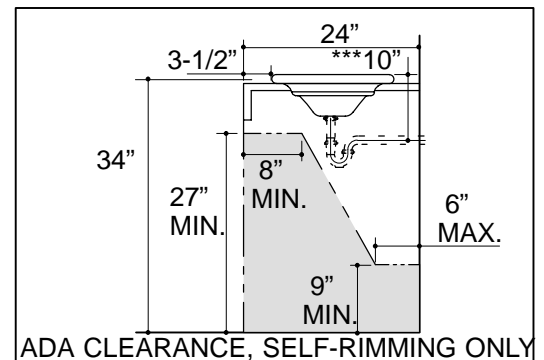
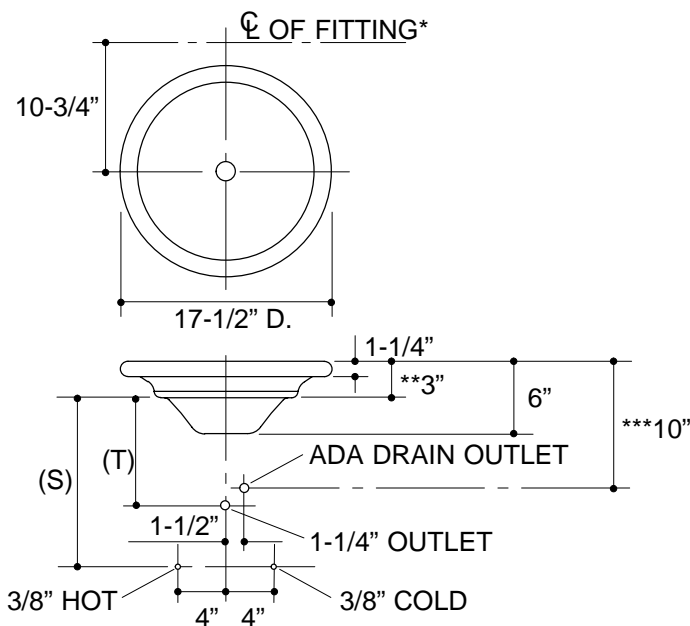
Product Information

ADA compliant, self-rimming only:			
Fixture*:		basin area	water depth
Lavatory		15" D.	5-1/2"
Outlet	1-3/4" D.		
* Approximate measurements for comparison only.			
Included Components:			
Installation tape			84938
Cutout template			115888-7

Installation Notes

Refer to installation instructions included with fixture before beginning installation.

Product does not have an overflow.



Roughing-In Notes

(T) Pop-up drain 9".

(S) 14" (Based on 12" riser which may require cutting).

*Spout must be 5" long (min.) for adequate clearance into lavatory when installed with centerline as shown.

**Spout must be tall enough to clear 3" rim height and provide a 1" air gap per ASME A112.1.2

***Based on K-9018, with 1" of tailpiece exposed.