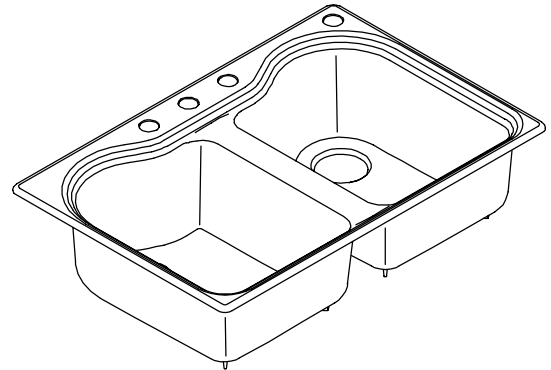


### SELF-RIMMING KITCHEN SINK

# K-5823

#### FEATURES

- 33" x 22"
- Cast iron
- Acid resistant enamel finish
- Self-rimming
- Double (equal) compartment
- 3-hole (K-5823-3) or 4-hole (K-5823-4) faucet punching



#### CODES/STANDARDS APPLICABLE

Specified model meets or exceeds the following:

- ASME/ANSI A112.19.1M
- IAPMO/UPC
- Canadian Standards Association (CSA)
- State of Massachusetts

#### COLORS/FINISHES

- 0 White
- Other Refer to Fixtures Price Book for additional colors

#### Accessories:

- NA None Applicable

#### SPECIFIED MODEL:

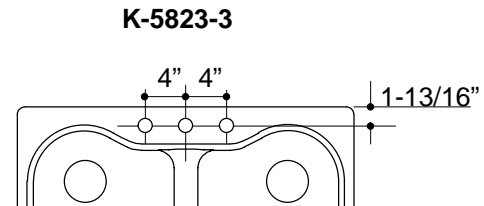
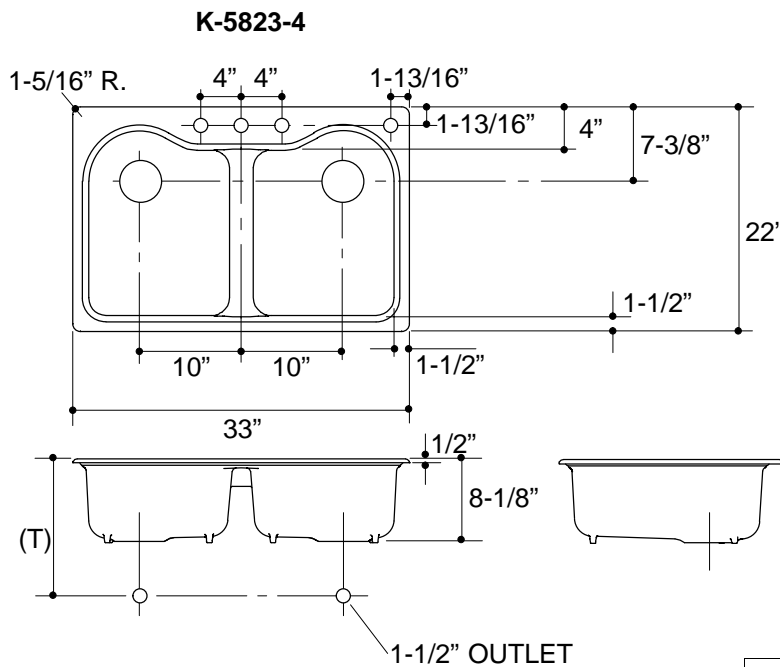
Model	Description	Colors/Finishes	
		<input type="checkbox"/> 0 White	<input type="checkbox"/> Other_____
K-5823-3	3-hole sink	<input type="checkbox"/> 0 White	<input type="checkbox"/> Other_____
K-5823-4	4-hole sink	<input type="checkbox"/> 0 White	<input type="checkbox"/> Other_____
Optional Accessories			
K-6559	Hardwood cutting board	<input type="checkbox"/> NA	

#### PRODUCT SPECIFICATION:

The self-rimming sink shall be 33" in length, and 22" in width. Sink shall be made of cast iron with acid resistant enamel finish. Sink shall be double (equal) compartment. Sink shall have 3-hole (K-5823-3) or 4-hole (K-5823-4) faucet punching. Sink shall be Kohler Model K-5823-\_\_\_\_\_-\_\_\_\_\_.

## PRODUCT INFORMATION

Fixture*:		basin area	water depth
Sinks		14" x 18"	7"
Outlet	3-7/8" D.		
Faucet and spout holes	1-3/8" D.		
* Approximate measurements for comparison only.			



Roughing-In Notes	
(T) Drain typically 13-1/2".	
Cutout	31-3/4" x 20-3/4" with 1" radius corners.

.85<116

## PRODUCT DIAGRAM