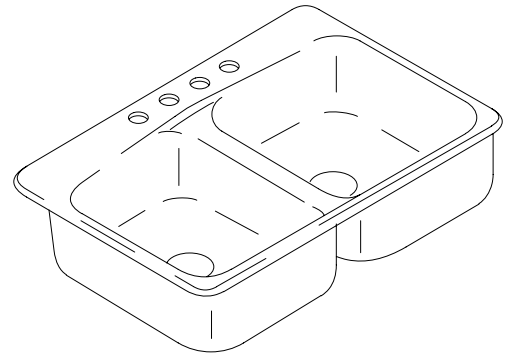


SELF-RIMMING KITCHEN SINK

K-5981

FEATURES

- 31-3/4" x 20-3/4"
- Cast iron
- Acid resistant enamel finish
- Self-rimming
- Double (equal) compartment
- 4-hole (K-5981-4), 3-hole (K-5981-3) 2-hole (K-5981-2) drilling



CODES/STANDARDS APPLICABLE

Specified model meets or exceeds the following:

- ASME/ANSI A112.19.1M
- IAPMO/UPC
- Canadian Standards Association (CSA)
- State of Massachusetts

COLORS/FINISHES

- 0 White
- Other Refer to Fixtures Price Book for additional colors

SPECIFIED MODEL:

Model	Description	Colors/Finishes	
K-5981-4	4-hole sink	<input type="checkbox"/> 0 White	<input type="checkbox"/> Other_____
K-5981-3	3-hole sink	<input type="checkbox"/> 0 White	<input type="checkbox"/> Other_____
K-5981-2	2-hole sink	<input type="checkbox"/> 0 White	<input type="checkbox"/> Other_____

PRODUCT SPECIFICATION:

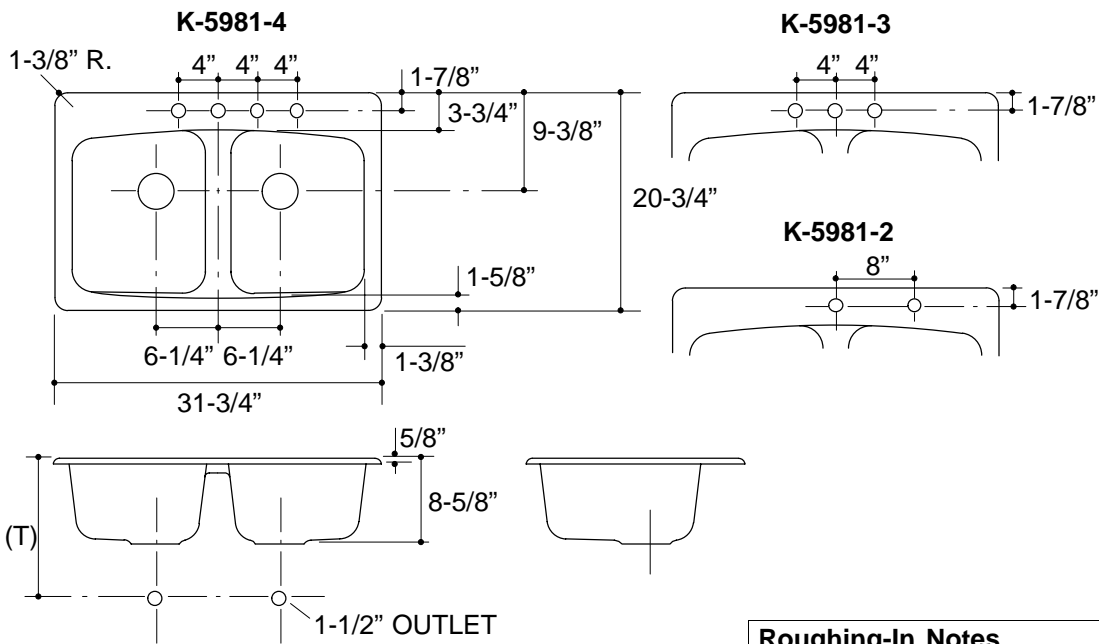
The self-rimming sink shall be 31-3/4" in length, and 20-3/4" in width. Sink shall be made of cast iron with acid resistant enamel finish. Sink shall be double (equal) compartment. Sink shall be 4-hole (K-5981-4), 3-hole (K-5981-3), or 2-hole (K-5981-2) drilled. Sink shall be Kohler Model K-5981-_____-_____.

BROOKFIELD™

PRODUCT INFORMATION

Fixture*:		basin area	water depth
Sinks		13" x 15"	6-3/4"
Outlet	3-7/8" D.		
Faucet and spout holes	1-3/8" D.		

* Approximate measurements for comparison only.



Roughing-In Notes	
(T) Drain typically 14".	
Cutout	30-1/2" x 19-1/2" with 1" radius corners.

.85<116

PRODUCT DIAGRAM